

1

2

3

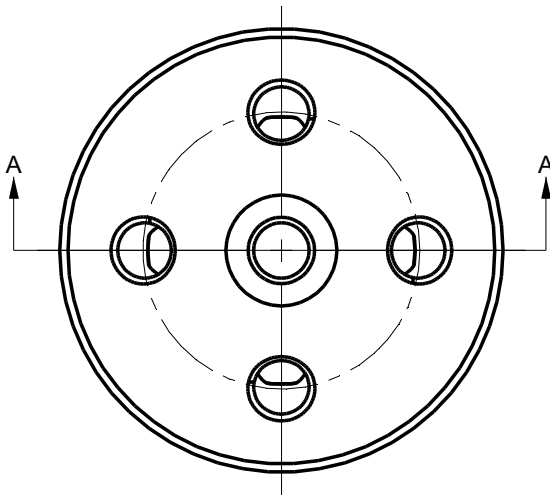
4

Rev.A

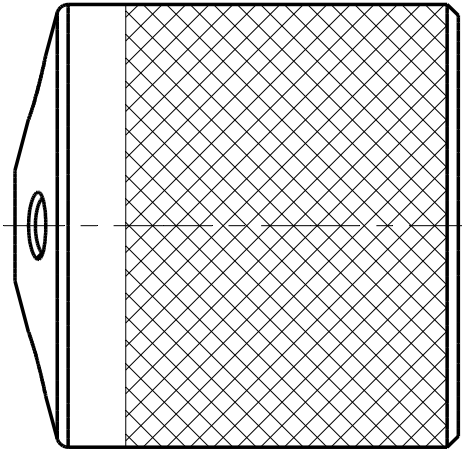
date

Description revision

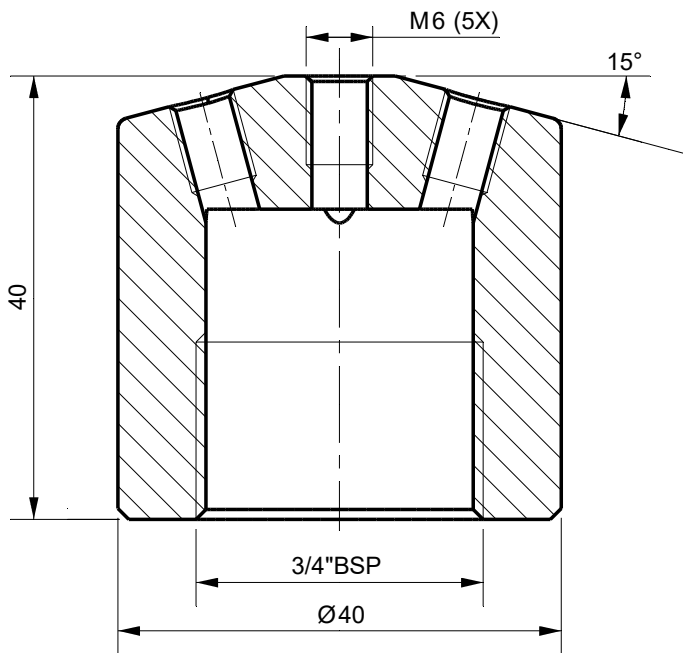
A



B



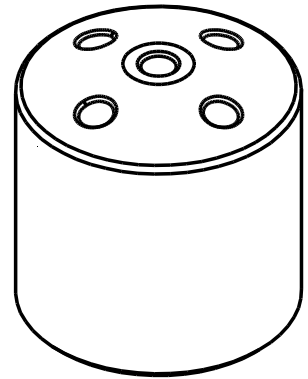
C



D

E

Section A-A

**Tolerances**

Unless Otherwise Specified
ACC. DIN-ISO 2768 -1and 2
Angular +/- 0,3°
Corners <0,2x45° / R<0,2

Finish

-

Material

St.St. 316

Dimension (No Decimals)

0 t/m 6

6 t/m 30

30 t/m 120

120 t/m 400

400 t/m 1000

Tolerance

0,1

0,2

0,3

0,5

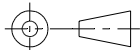
0,8

Name**Date**

26-5-2024

Remarks**Description**

Injector Holder
5 X M6 - 3/4\"/>

Projection

Drawing remains the property of
Salomon Jetting Parts B.V.

Unit
mm

Number

Project

F



Salomon Jetting Parts B.V.
Reedijk 8-1
3274 KE Heinenoord
www.sjpbv.com
info@sjpbv.com
+31 (0) 88 126 1900

Size
A4

Drawing nr.

304049

Rev

A

Scale
1.5:1

CAD File

Sheet

1 of 1