

1

2

3

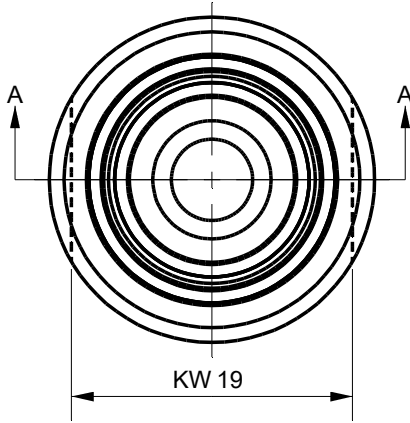
4

Rev.A

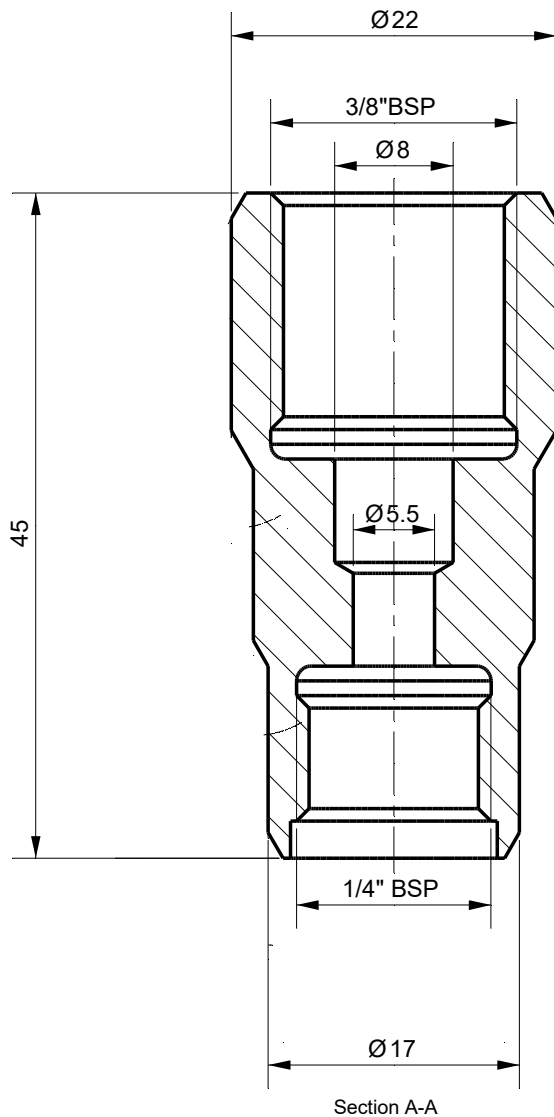
date

Description revision

A



B

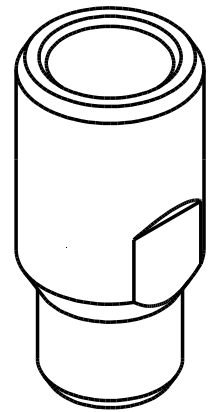


C

D

E

Section A-A

**Tolerances**

Unless Otherwise Specified
ACC. DIN-ISO 2768 -1and 2
Angular +/- 0,3°
Corners <0,2x45° / R<0,2

Finish

-

Material

St.St.316

Dimension (No Decimals)

0 t/m 6 6 t/m 30 30 t/m 120 120 t/m 400 400 t/m 1000

Tolerance

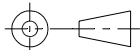
0,1 0,2 0,3 0,5 0,8

Drawn

Name

Date

25-7-2022

Checked**Projection****Remarks**

Drawing remains the property of
Salomon Jetting Parts B.V.

Unit

mm

Number**Description**

Slimline Coupler
1/4" - 3/8" BSP F/F

Project

F



Salomon Jetting Parts B.V.

Industriestraat 17
3291 CC Strijen
www.sjpbv.com
info@sjpbv.com
+31 (0) 88 126 1900

Size

A4

Drawing nr.

304072

Rev

A

2:1**CAD File****Sheet**

1 of 1