

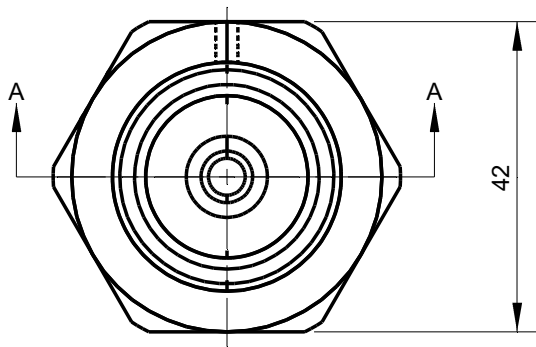
1

2

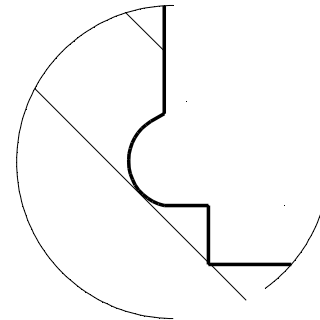
3

4

A

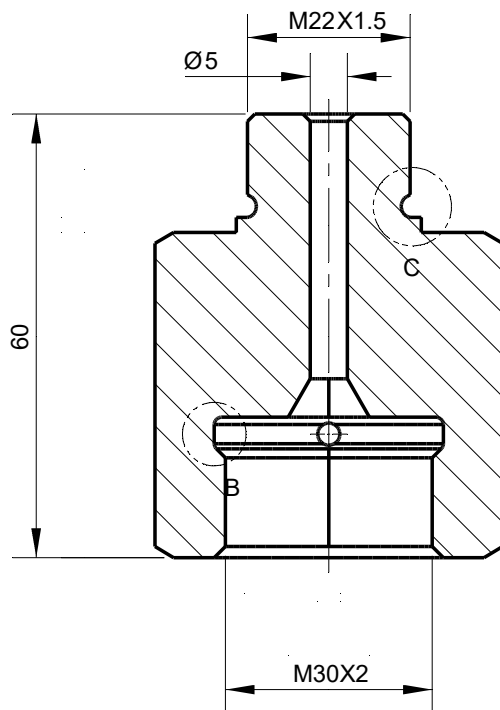


B

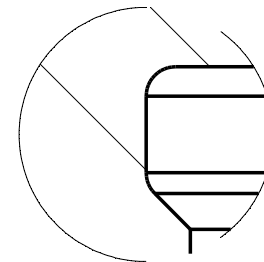


Detail C

C



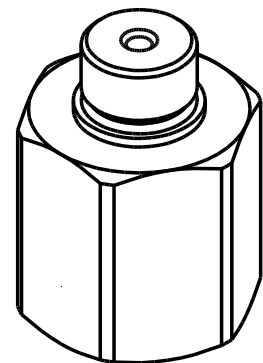
D



Detail B

E

Section A-A

**Tolerances**

Unless Otherwise Specified
ACC. DIN-ISO 2768 -1and 2
Angular $\pm 0,3^\circ$
Corners $<0,2 \times 45^\circ / R < 0,2$

Finish

-

Material

St.St. 1.4122

Dimension (No Decimals)	0 t/m 6	6 t/m 30	30 t/m 120	120 t/m 400	400 t/m 1000
Tolerance	0,1	0,2	0,3	0,5	0,8

Tolerance

0,1

0,2

0,3

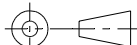
0,5

0,8

Name	Date	Remarks
Drawn	6-6-2020	
Checked		

Description

Adapter M30X2F - M22X1.5M

Projection

Drawing remains the property of
Salomon Jetting Parts B.V.

Unit
mm

Number

Project

F



Salomon Jetting Parts B.V.
Industriestraat 17
3291 CC Strijen
www.sjpbv.com
info@sjpbv.com
+31 (0) 88 126 1900

Size
A4

Drawing nr.**304088****Rev****A**

Scale
1:1

CAD File**Sheet****1 of 1**