

1

2

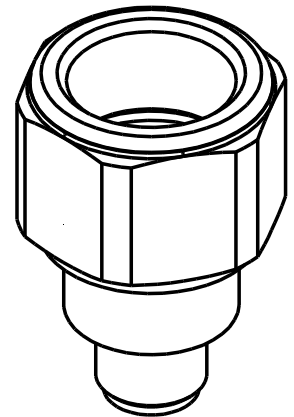
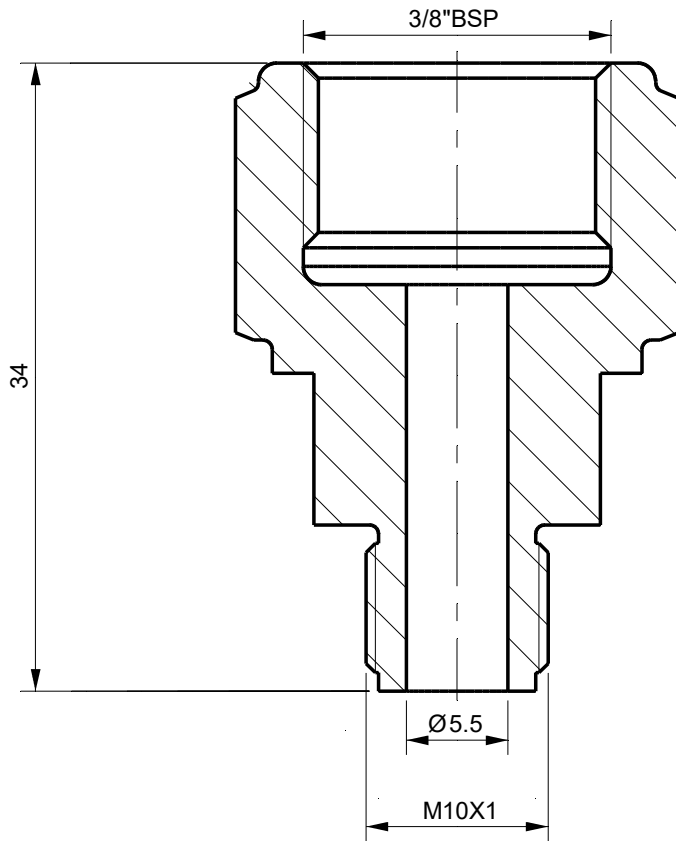
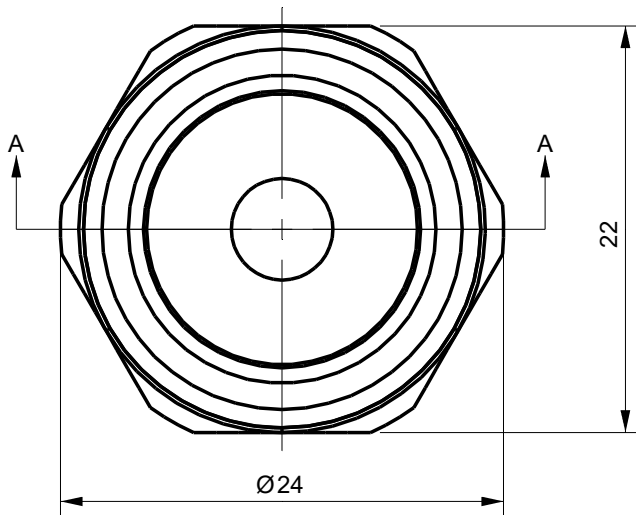
3

4

Rev.A

date

Description revision



Section A-A

**Tolerances**

Unless Otherwise Specified  
ACC. DIN-ISO 2768 -1and 2  
Angular +/- 0,3°  
Corners <0,2x45° / R<0,2

**Finish**

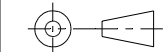
-

**Material**

St.St. 316

**Dimension (No Decimals)**

0 t/m 6	6 t/m 30	30 t/m 120	120 t/m 400	400 t/m 1000
0,1	0,2	0,3	0,5	0,8

**Tolerance****Projection****Name****Date**

18-11-2023

**Remarks**

Drawing remains the property of  
Salomon Jetting Parts B.V.

**Unit**

mm

**Number****Description**

Holder M10X1 Mfl -  
3/8\"/>

**Project**

Size  
**A4**

**Drawing nr.****304091.4****Rev****A**

Scale  
**2.5:1**

**CAD File****Sheet****1 of 1**

Salomon Jetting Parts B.V.  
Reedijk 8-1  
3274 KE Heinenoord  
www.sjpbv.com  
info@sjpbv.com  
+31 (0) 88 126 1900