

1

2

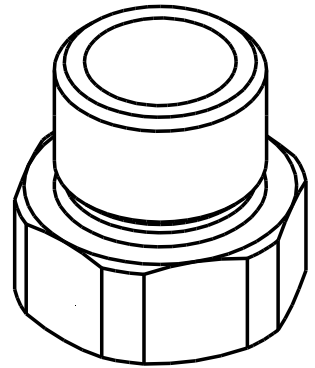
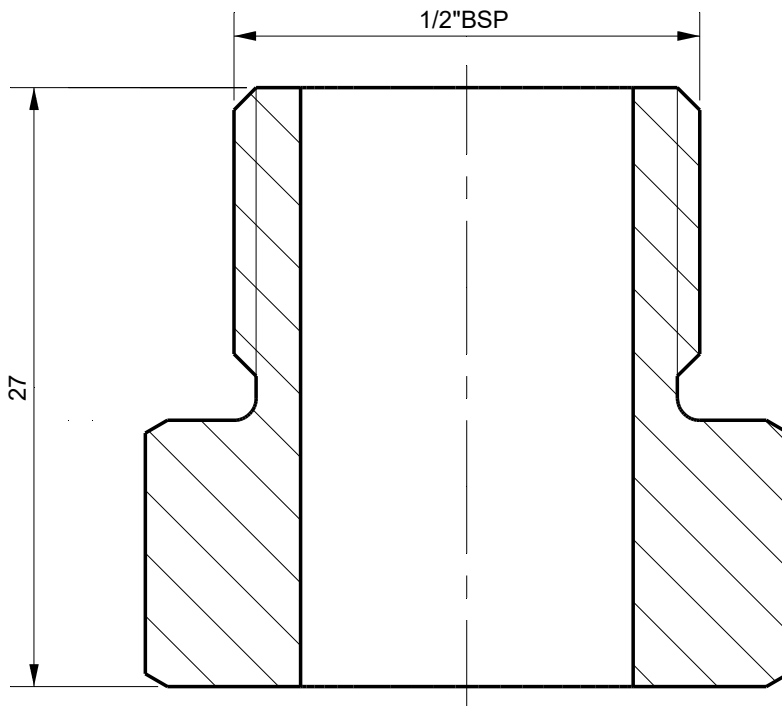
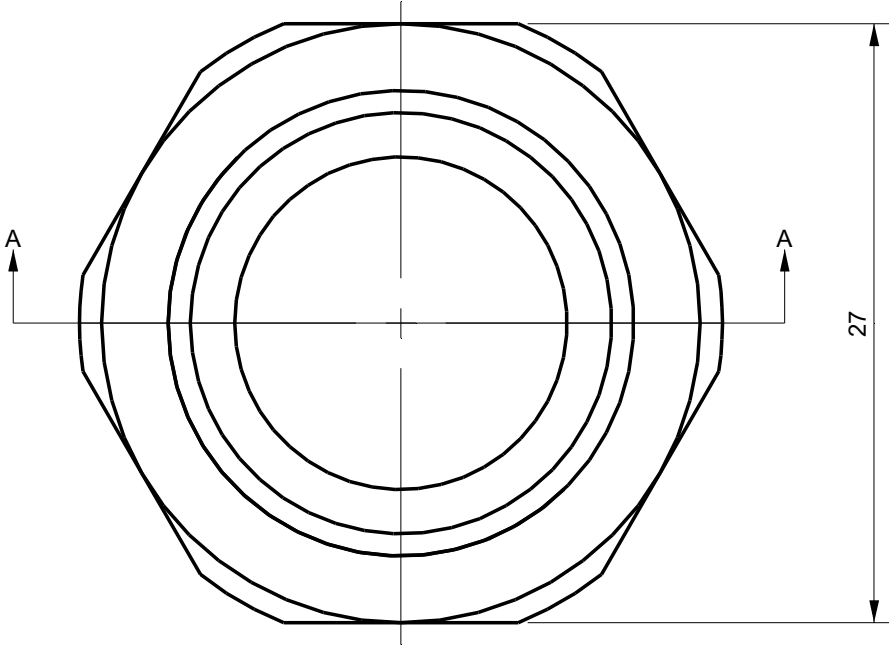
3

4

Rev.A

date

Description revision



Section A-A

Tolerances

Unless Otherwise Specified
 ACC. DIN-ISO 2768 -1and 2
 Angular +/- 0,3°
 Corners <math><0,2 \times 45^\circ / R<0,2</math>

Finish

-

Material

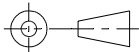
St.St. 316

Dimension (No Decimals)

0 t/m 6	6 t/m 30	30 t/m 120	120 t/m 400	400 t/m 1000
0,1	0,2	0,3	0,5	0,8

Tolerance**Description**

Gland Nut 1/2"BSP

Projection

Drawing remains the property of
 Salomon Jetting Parts B.V.

Unit
mm

Number

Project**Size**

Drawing nr.

304122

Rev

A

Scale

CAD File

Sheet

1 of 1



Salomon Jetting Parts B.V.

Reedijk 8-1
 3274 KE Heinenoord
 www.sjpbv.com
 info@sjpbv.com
 +31 (0) 88 126 1900