

1

2

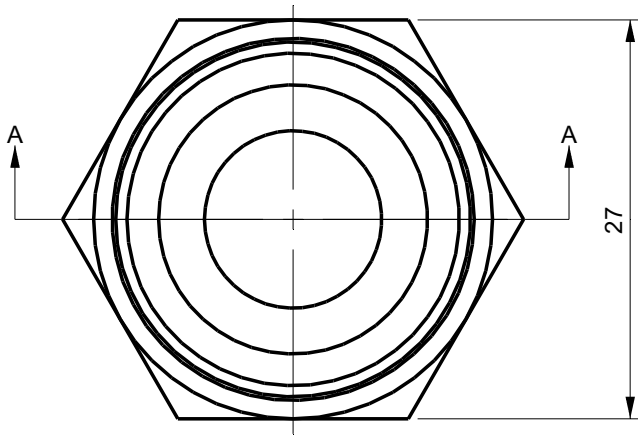
3

4

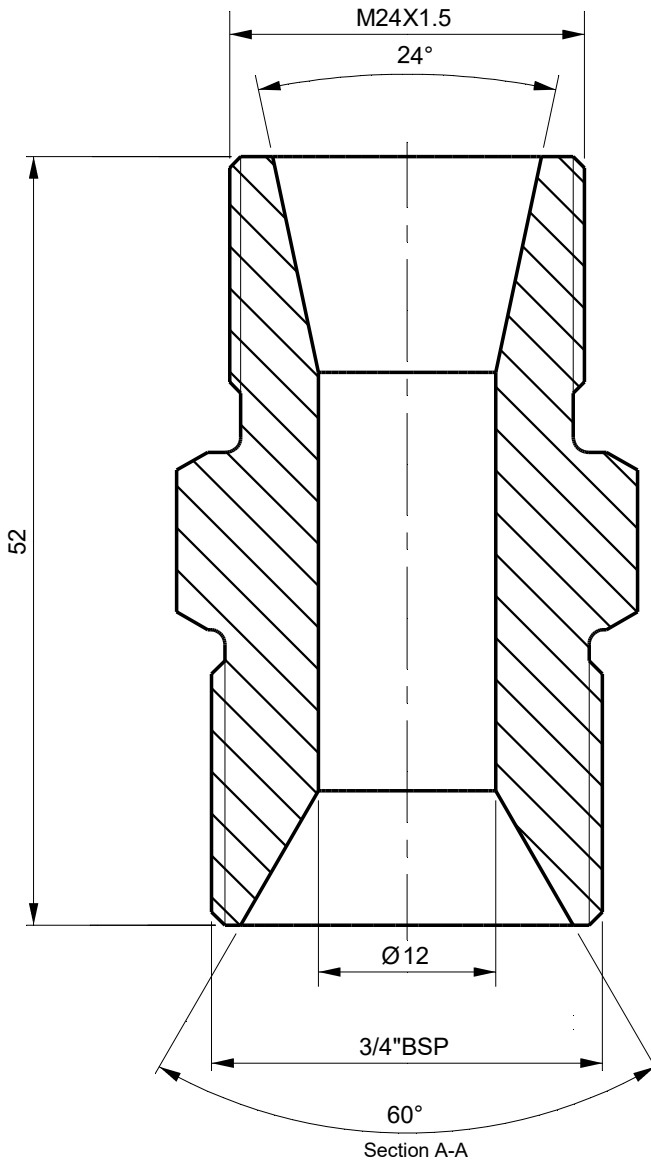
Rev.A

date

Description revision



27



52

M24X1.5

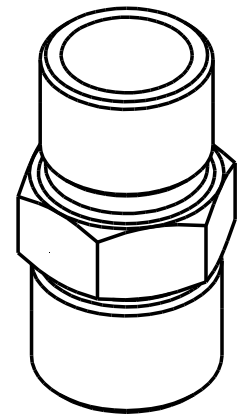
24°

Ø12

3/4"BSP

60°

Section A-A

**Tolerances**

Unless Otherwise Specified
ACC. DIN-ISO 2768 -1and 2
Angular +/- 0,3°
Corners <0,2x45° / R<0,2

Finish

-

Material

St.St. 316

Dimension (No Decimals)

0 t/m 6 6 t/m 30 30 t/m 120 120 t/m 400 400 t/m 1000

Tolerance

0,1 0,2 0,3 0,5 0,8

Drawn

Name

Date

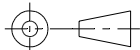
Remarks

Checked

27-2-2023

Description

Adapter 3/4"BSPM
M24X1.5M 1200 bar

Projection

Drawing remains the property of
Salomon Jetting Parts B.V.

Unit
mm

Number

Project

Salomon Jetting Parts B.V.
Reedijk 8-1
3274 KE Heinenoord
www.sjpbv.com
info@sjpbv.com
+31 (0) 88 126 1900

Size
A4

Drawing nr.

304136

Rev

A

Scale
2:1

CAD File

Sheet

1 of 1