

1

2

3

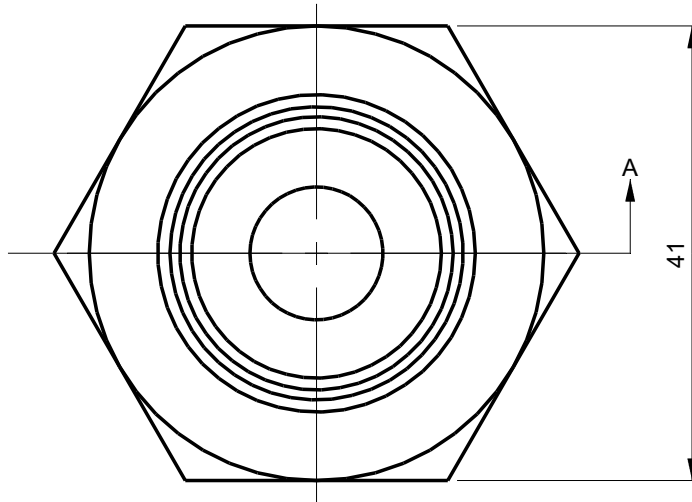
4

Rev.A

date

Description revision

A

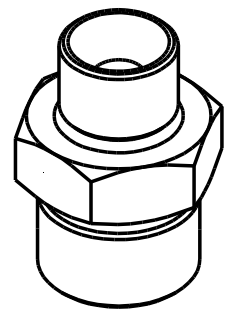
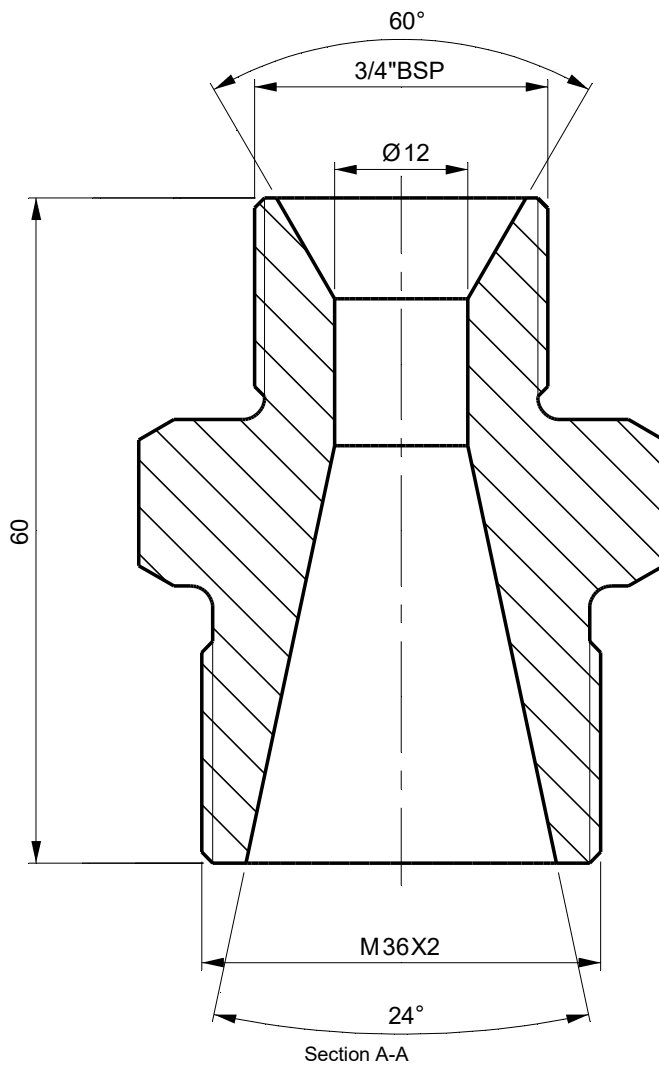


B

C

D

E

**Tolerances**

Unless Otherwise Specified
ACC. DIN-ISO 2768 -1and 2
Angular +/- 0,3°
Corners <0,2x45° / R<0,2

Finish

-

Material

St.St. 316

Dimension (No Decimals)

0 t/m 6 6 t/m 30 30 t/m 120 120 t/m 400 400 t/m 1000

Tolerance

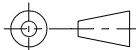
0,1 0,2 0,3 0,5 0,8

Name**Date****Remarks****Drawn**

27-2-2023

Checked**Description**

Adapter 3/4"BSPM
M36X2M 1200 bar

Projection

Drawing remains the property of
Salomon Jetting Parts B.V.

Unit
mm

Number

Project

F



Salomon Jetting Parts B.V.
Reedijk 8-1
3274 KE Heinenoord
www.sjpbv.com
info@sjpbv.com
+31 (0) 88 126 1900

Size
A4

Drawing nr.

304138

Rev

A

Scale
1.5:1

CAD File

Sheet

1 of 1