

1

2

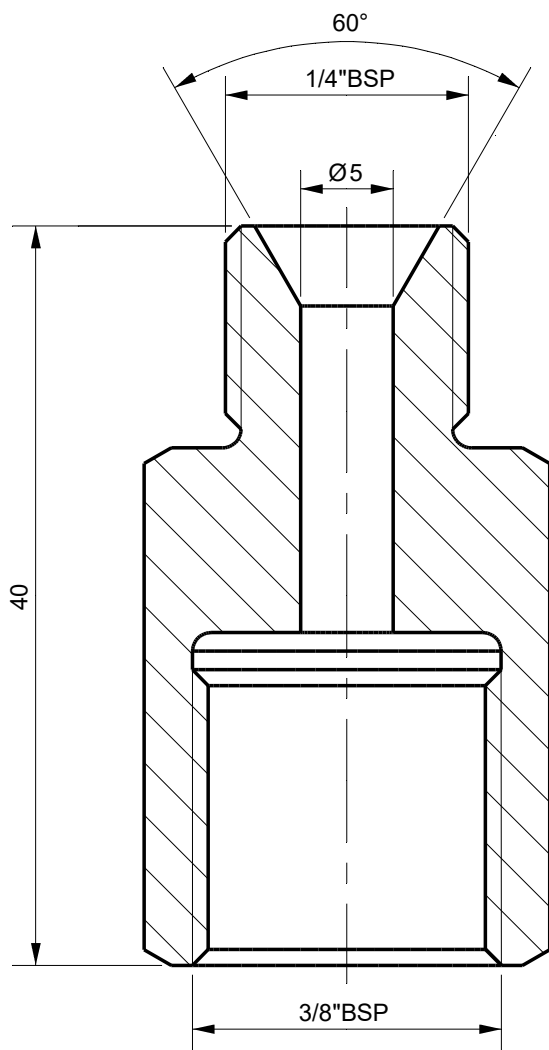
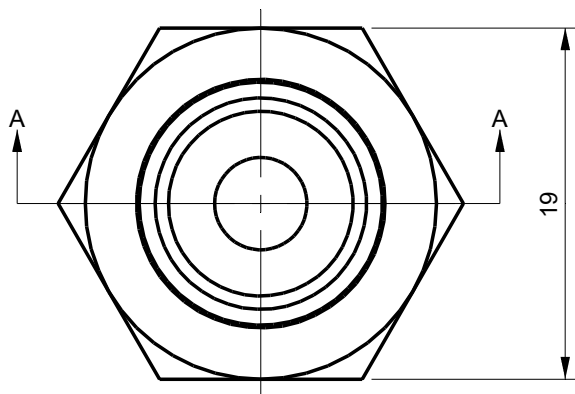
3

4

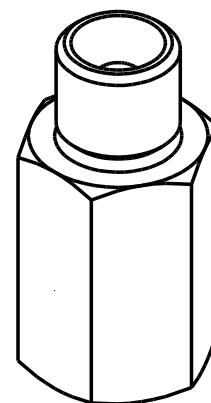
Rev.A

date

Description revision



Section A-A

**Tolerances**

Unless Otherwise Specified  
ACC. DIN-ISO 2768 -1and 2  
Angular +/- 0,3°  
Corners <0,2x45° / R<0,2

**Finish**

-

**Material**

St.St. 316

**Dimension (No Decimals)**

0 t/m 6	6 t/m 30	30 t/m 120	120 t/m 400	400 t/m 1000
0,1	0,2	0,3	0,5	0,8

**Tolerance**

Name

Date

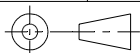
Remarks

Drawn

13-3-2023

Checked

Projection



Drawing remains the property of Salomon Jetting Parts B.V.

Unit mm

Number

Project

Description

Adapter 1/4"BSPM -  
3/8"BSPF 1500 bar



Salomon Jetting Parts B.V.  
Reedijk 8-1  
3274 KE Heinenoord  
www.sjpbv.com  
info@sjpbv.com  
+31 (0) 88 126 1900

Size  
**A4**

Drawing nr.

**304140**

Rev

**A**Scale  
**2.5:1**

CAD File

Sheet

**1 of 1**