

1

2

3

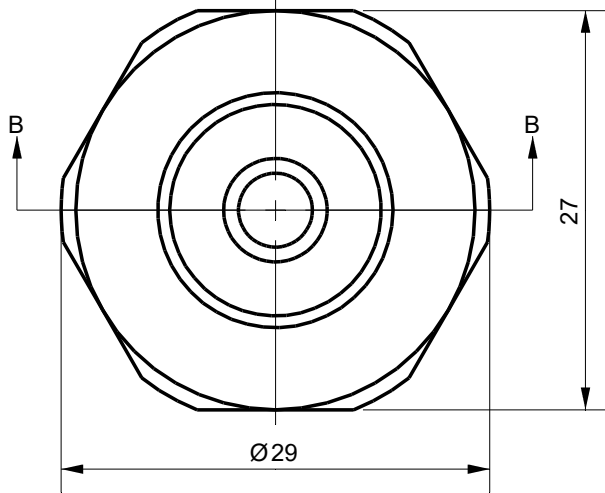
4

Rev.A

date

Description revision

A

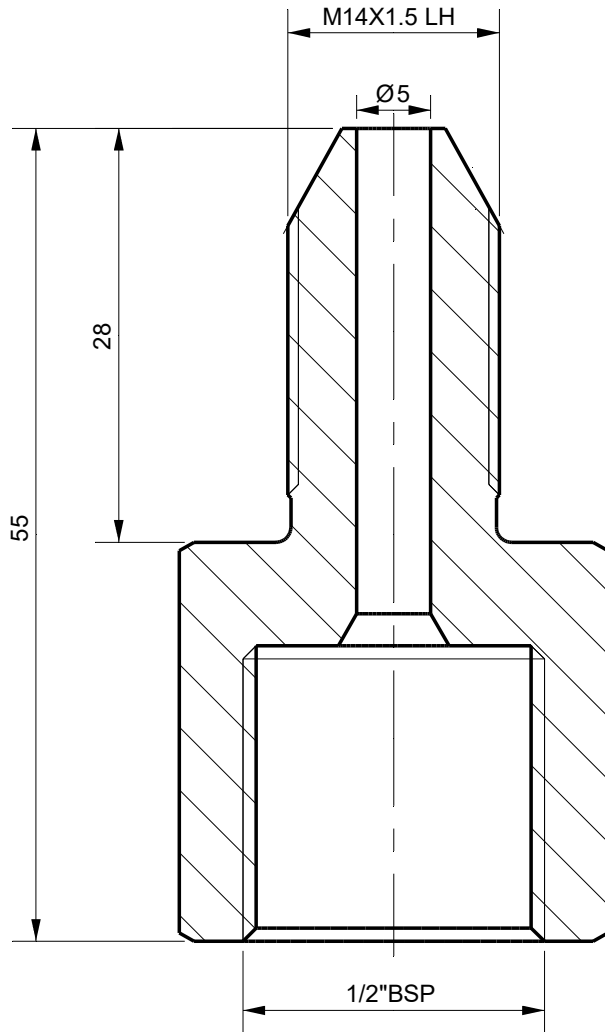


B

M14X1.5 LH

Ø5

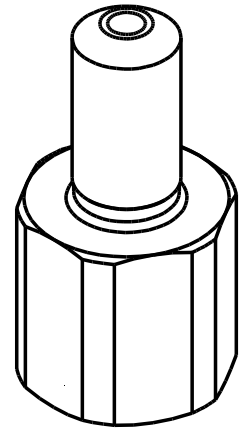
c



D

E

Section B-B



## Tolerances

Unless Otherwise Specified  
ACC. DIN-ISO 2768 -1and 2  
Angular +/- 0,3°  
Corners <0,2x45° / R<0,2

## Finish

-

## Material

St.St. 316

## Dimension (No Decimals)

0 t/m 6	6 t/m 30	30 t/m 120	120 t/m 400	400 t/m 1000
0,1	0,2	0,3	0,5	0,8

## Tolerance

## Name

## Date

## Remarks

## Drawn

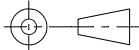
13-4-2023

Attention! M14X1.5  
Lefthanded thread

## Description

Adapter 1/2"BSPF - 9/16"HP LH M

## Projection



Drawing remains the property of  
Salomon Jetting Parts B.V.

Unit  
mm

Number

## Project

F



Salomon Jetting Parts B.V.  
Reedijk 8-1  
3274 KE Heinenoord  
www.sjpbv.com  
info@sjpbv.com  
+31 (0) 88 126 1900

Size  
**A4**

Drawing nr.

**304144**

Rev

**A**Scale  
**2:1**

CAD File

Sheet

**1 of 1**