

1

2

3

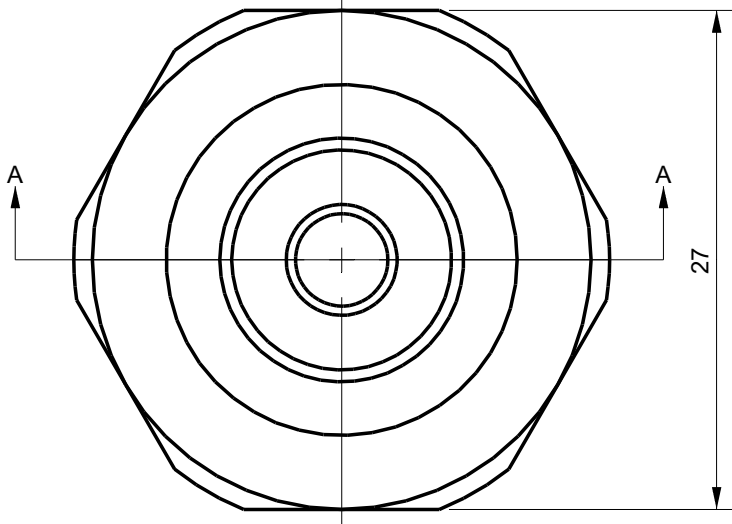
4

Rev.A

date

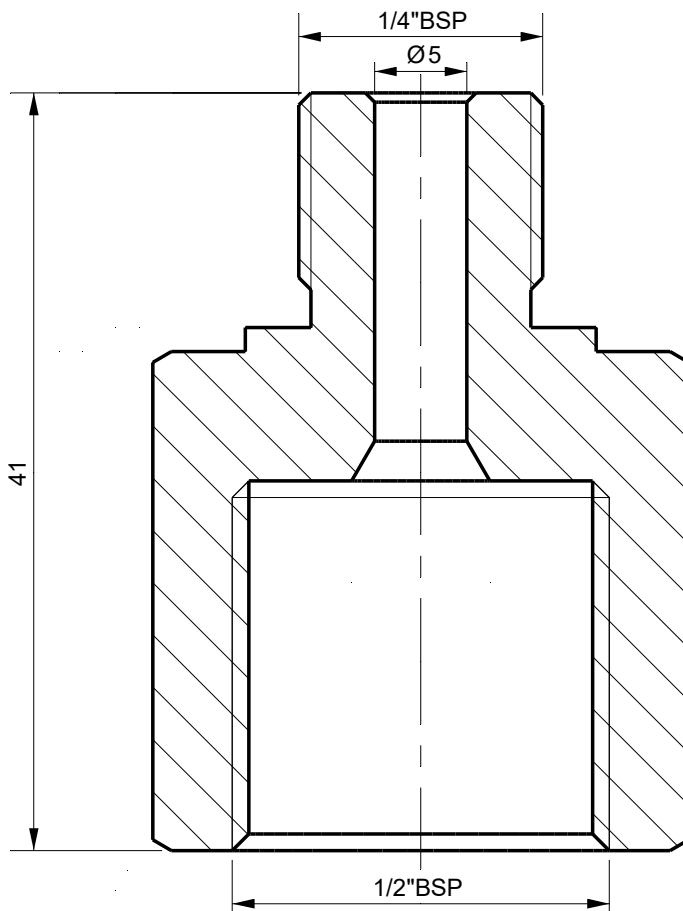
Description revision

A



B

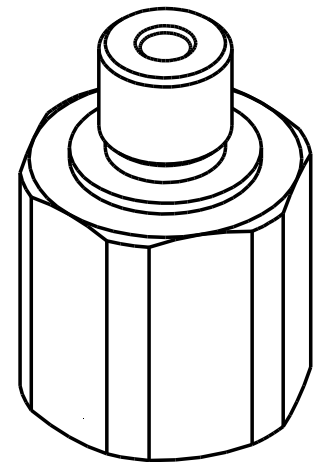
C



D

E

Section A-A

**Tolerances**

Unless Otherwise Specified
ACC. DIN-ISO 2768 -1and 2
Angular +/- 0,3°
Corners <math>0,2 \times 45^\circ / R < 0,2</math>

Finish

-

Material

St.St. 316

Dimension (No Decimals)

0 t/m 6

6 t/m 30

30 t/m 120

120 t/m 400

400 t/m 1000

Tolerance

0,1

0,2

0,3

0,5

0,8

Corners <math>0,2 \times 45^\circ / R < 0,2</math>

Name

Date

Remarks

Drawn

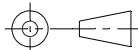
ejair.nl

14-4-2023

Checked

Description

Adapter 1/2"BSPP - 1/4"BSPP

ProjectionDrawing remains the property of
Salomon Jetting Parts B.V.Unit
mm

Number

Project

F



Salomon Jetting Parts B.V.
Reedijk 8-1
3274 KE Heinenoord
www.sjpbv.com
info@sjpbv.com
+31 (0) 88 126 1900

Size
A4

Drawing nr.

304145

Rev

AScale
2.5:1

CAD File

Sheet

1 of 1