

1

2

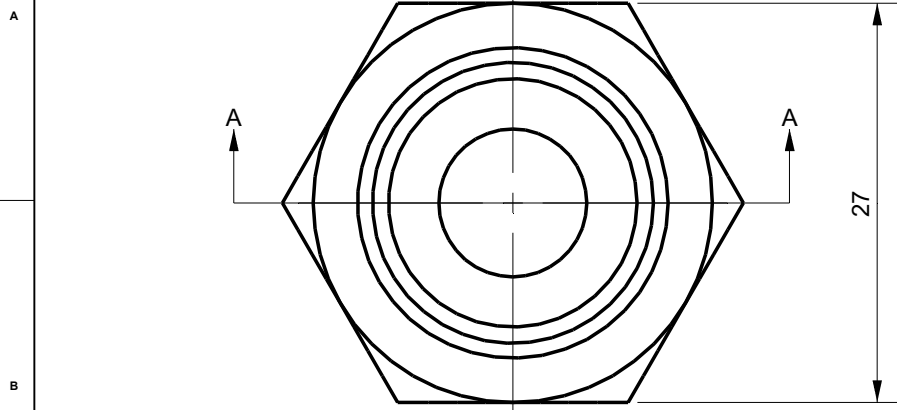
3

4

Rev.A

date

Description revision

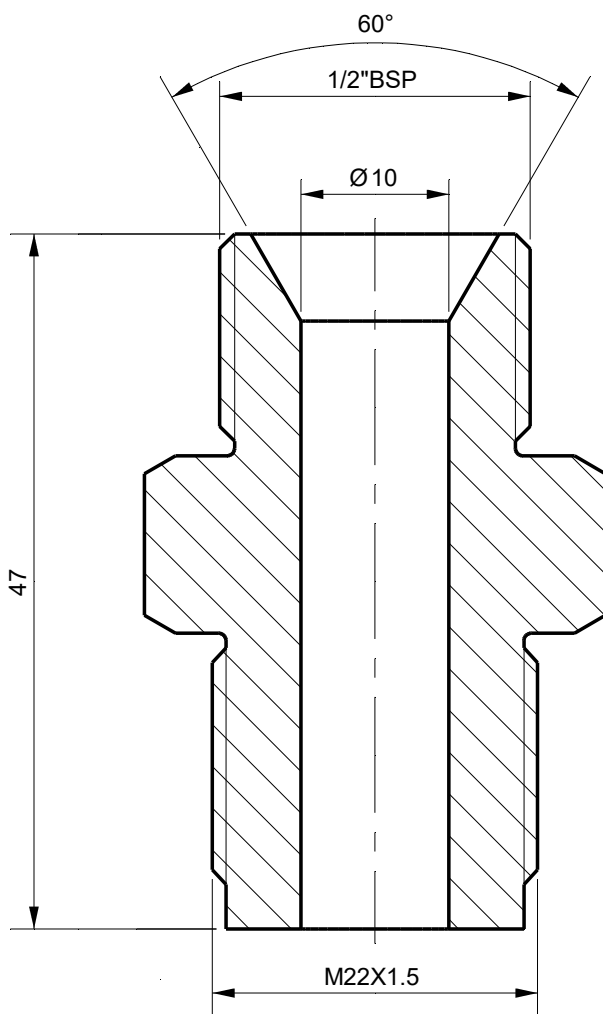


B

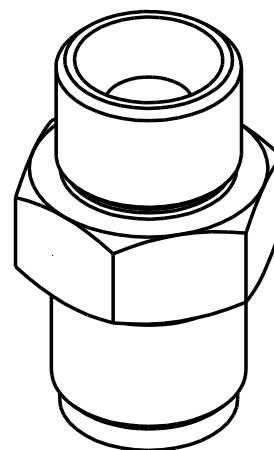
C

D

E



Section A-A

**Tolerances**

Unless Otherwise Specified
ACC. DIN-ISO 2768 -1and 2
Angular +/- 0,3°
Corners <math><0,2 \times 45^\circ / R<0,2</math>

Finish

-

Material

St.St. 316

Dimension (No Decimals)

0 t/m 6 6 t/m 30 30 t/m 120 120 t/m 400 400 t/m 1000

Tolerance

0,1 0,2 0,3 0,5 0,8

Name

Date

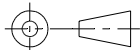
Remarks

Drawn

9-8-2023

Checked

Projection

Drawing remains the property of
Salomon Jetting Parts B.V.Unit
mm

Number

Project

Description

Adapter M22X1.5M flat -
1/2\"/>

Project

F



Salomon Jetting Parts B.V.
Reedijk 8-1
3274 KE Heinenoord
www.sjpbv.com
info@sjpbv.com
+31 (0) 88 126 1900

Size
A4

Drawing nr.

304146

Rev

AScale
2:1

CAD File

Sheet

1 of 1