

1

2

3

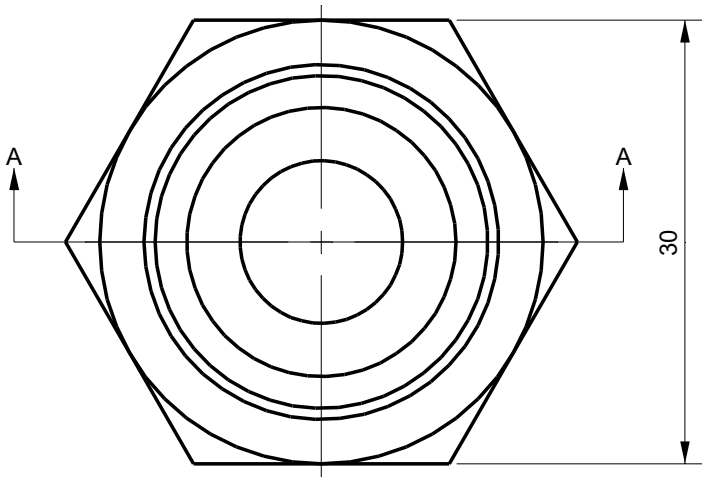
4

Rev.A

date

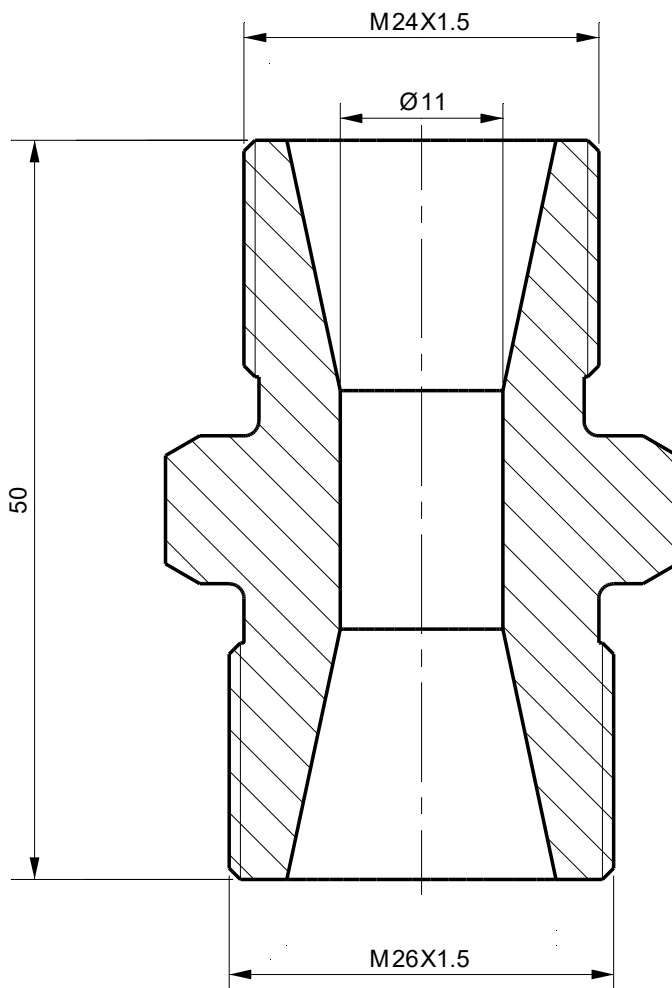
Description revision

A



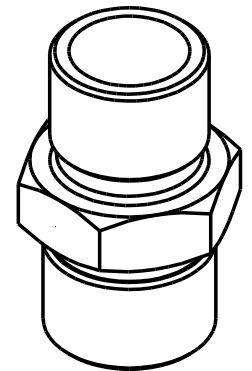
B

C



D

E



Section A-A

**Tolerances**

Unless Otherwise Specified  
ACC. DIN-ISO 2768 -1and 2  
Angular +/- 0,3°  
Corners <0,2x45° / R<0,2

**Finish**

-

**Material**

St.St.316

**Dimension (No Decimals)**

0 t/m 6

6 t/m 30

30 t/m 120

120 t/m 400

400 t/m 1000

**Tolerance**

0,1

0,2

0,3

0,5

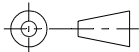
0,8

**Name****Date**

15-1-2025

**Remarks****Description**

Adapter M26X1.5M -  
M24X1.5M 1500 bar

**Projection**

Drawing remains the property of  
Salomon Jetting Parts B.V.

Unit  
mm

Number

**Project**

F



Salomon Jetting Parts B.V.  
Reedijk 8-1  
3274 KE Heinenoord  
www.sjpbv.com  
info@sjpbv.com  
+31 (0) 88 126 1900

Size  
**A4****Drawing nr.****304147****Rev****A**Scale  
**2:1****CAD File****Sheet****1 of 1**