

1

2

3

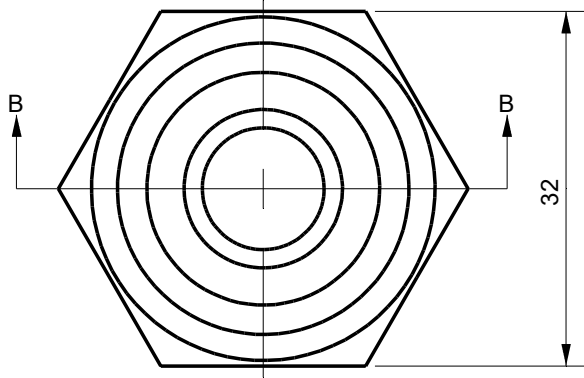
4

Rev.A

date

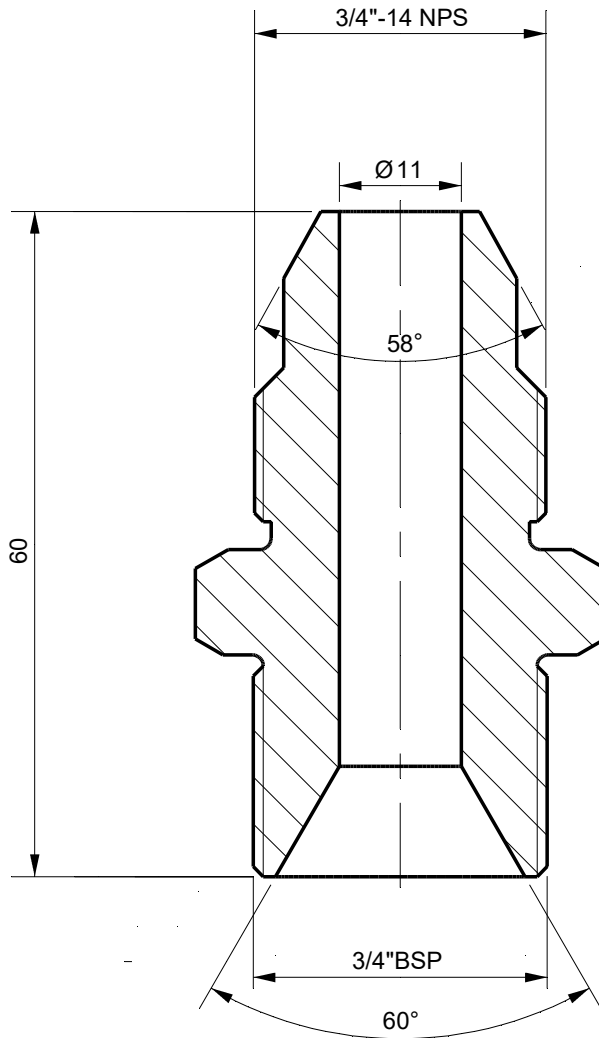
Description revision

A



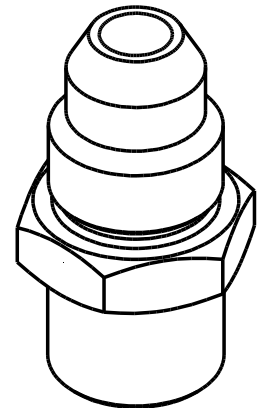
B

c



D

E



Section B-B

Tolerances

Unless Otherwise Specified
ACC. DIN-ISO 2768 -1and 2
Angular +/- 0,3°
Corners <math>0,2 \times 45^\circ / R < 0,2</math>

Finish

-

Material

St.St. 316

Dimension (No Decimals)

0 t/m 6 6 t/m 30 30 t/m 120 120 t/m 400 400 t/m 1000

Tolerance

0,1 0,2 0,3 0,5 0,8

Name

Date

Remarks

Drawn

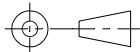
1-6-2022

Checked

Description

Adapter 3/4"MPM - 3/4"BSPM

Projection

Drawing remains the property of
Salomon Jetting Parts B.V.Unit
mm

Number

Project

F



Salomon Jetting Parts B.V.
Industriestraat 17
3291 CC Strijen
www.sjpbv.com
info@sjpbv.com
+31 (0) 88 126 1900

Size
A4

Drawing nr.

304241

Rev

AScale
1.5:1

CAD File

Sheet

1 of 1