

1

2

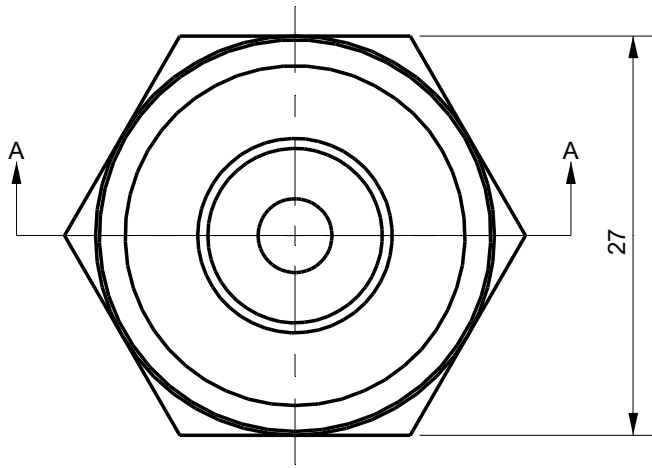
3

4

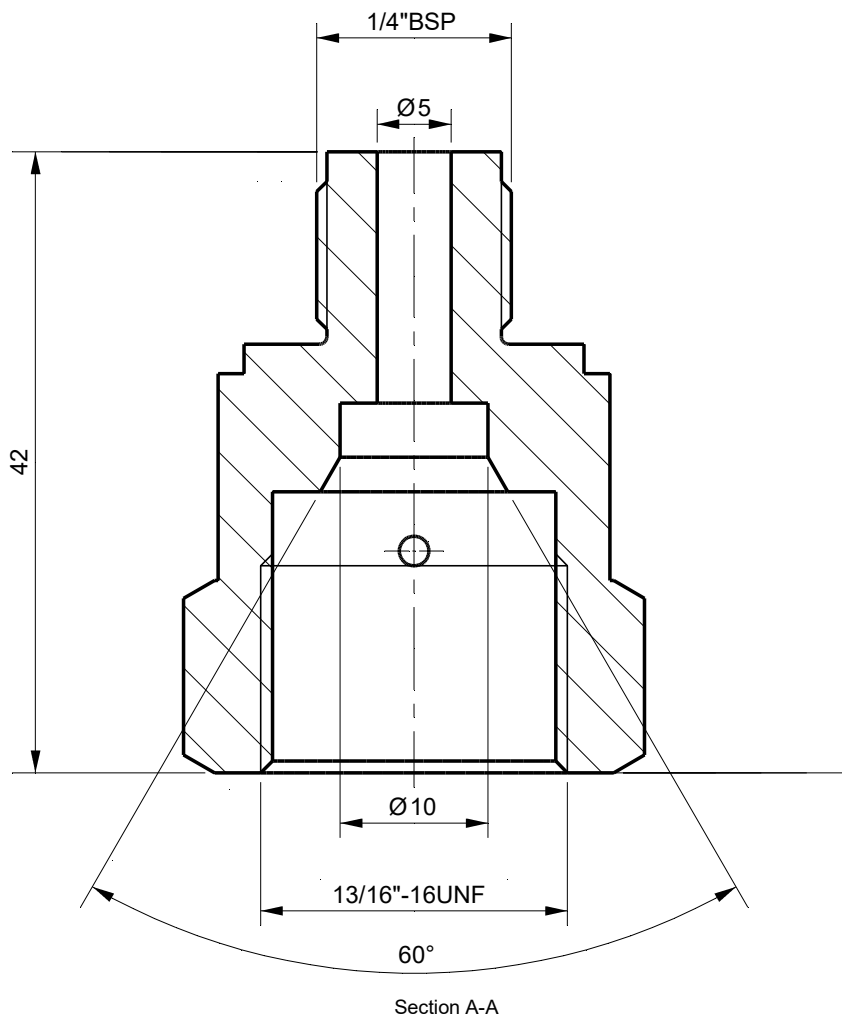
Rev.A

date

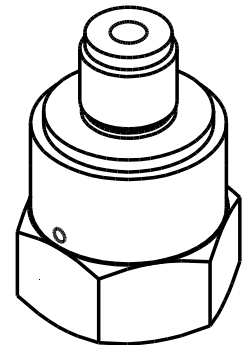
Description revision



27



Section A-A

**Tolerances**

Unless Otherwise Specified
ACC. DIN-ISO 2768 -1and 2
Angular +/- 0,3°
Corners <0,2x45° / R<0,2

Finish

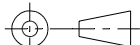
-

Material

St.St. 316

Dimension (No Decimals)

0 t/m 6	6 t/m 30	30 t/m 120	120 t/m 400	400 t/m 1000
0,1	0,2	0,3	0,5	0,8

Tolerance**Projection****Name****Date**

9-2-2021

Remarks

Drawing remains the property of
Salomon Jetting Parts B.V.

Unit
mm

Number

Description

Holder for Turbo Nozzle
1/4\"/>

Project

Size
A4

Drawing nr.

304244

Rev

A

Scale
2:1

CAD File

Sheet

1 of 1

Salomon Jetting Parts B.V.
Industriestraat 17
3291 CC Strijen
www.sjpbv.com
info@sjpbv.com
+31 (0) 88 126 1900