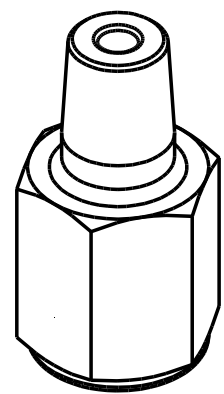
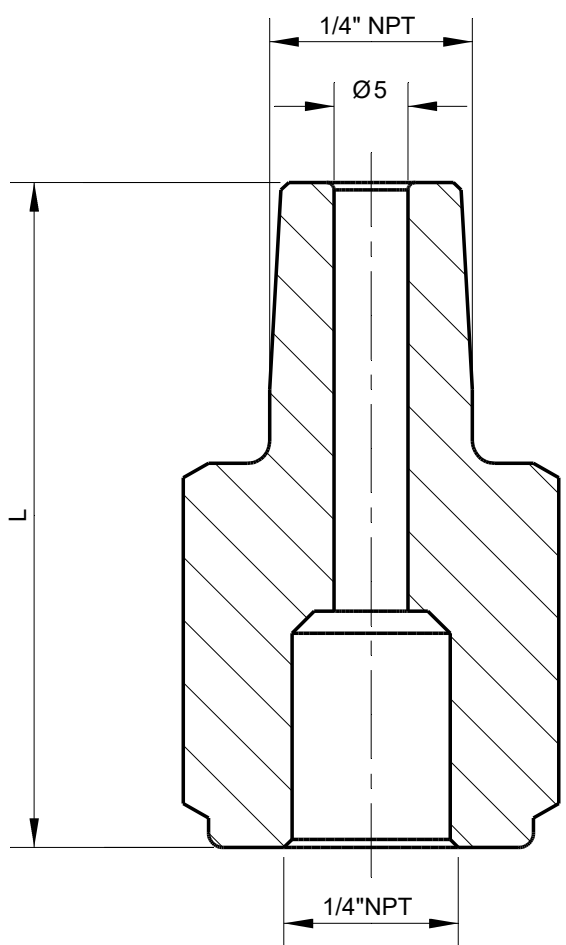
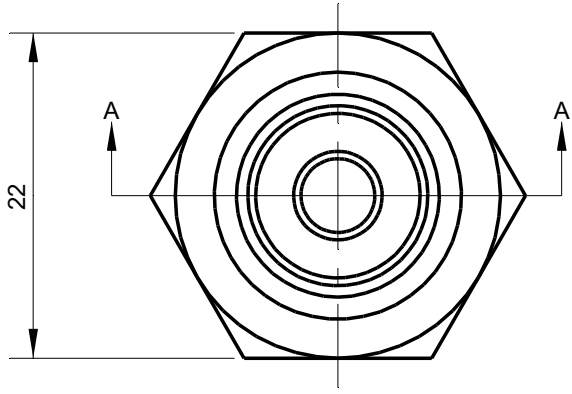


A
B
C
D
E
F



Section A-A

Tolerances Unless Otherwise Specified ACC. DIN-ISO 2768 -1and 2 Angular +/- 0,3° Corners <0,2x45° / R<0,2	Finish -					Material HEX 22 St.St. 316
	Dimension	0 t/m 6	6 t/m 30	30 t/m 120	120 t/m 400	
Tolerance	0,1	0,2	0,3	0,5	0,8	Description Nozzle Extension Adapter 1/4"NPT M/F
Name	Date 25-11-2019	Remarks			Project	
Drawn	Checked	Drawing remains the property of Salomon Jetting Parts B.V.				Unit mm
Projection		Number			Project	



Salomon Jetting Parts B.V.
 Industriestraat 17
 3291 CC Strijen
 www.sjpbv.com
 info@sjpbv.com
 +31 (0) 88 126 1900

Size A4	Drawing nr. 304356 - ..	Rev A
Scale 2:1	CAD File	Sheet 1 of 1