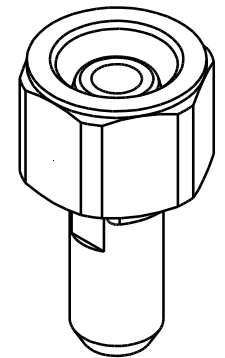
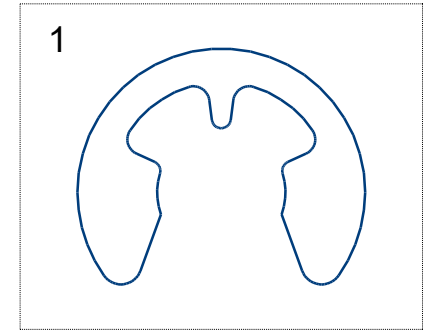
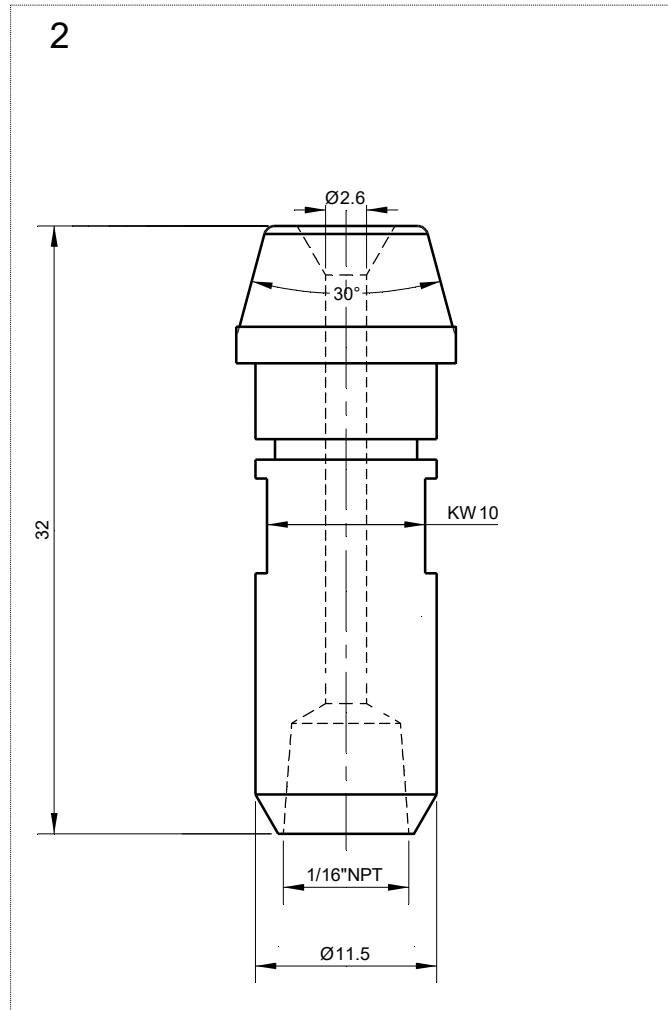


Section A-A



3	1	Nut	St. St. 316					
2	1	Plug	St. St. 316					
1	1	Circlip Ø9 x 1.1 DIN 6799	St. St. 316					Part. Nr. 679900-A2-009-0-000
<b>Tolerances</b> Unless Otherwise Specified ACC. DIN-ISO 2768 -1en 2 Angular +/- 0.3° Corners <0,2x45° / R<0,2		<b>Finish</b> --	<b>Material</b> --					
<b>Dimension (No Decimals)</b>		0 tm 6	6 tm 30	30 tm 120	120 tm 400	400 tm 1000		
<b>Tolerance</b>		0,1	0,2	0,3	0,5	0,8		
<b>Name</b>		<b>Date</b>		<b>Remarks</b>				<b>Description</b> Adapter F - 3/8" BSP SWN
<b>Drawn</b>								
<b>Checked</b>								
<b>Projection</b>				Drawing remains the property of Salomon Jetting Parts B.V.				<b>Project</b>
		Salomon Jetting Parts B.V. Industriestraat 17 3291 CC Strijen www.sjpbv.com info@sjpbv.com +31 (0) 88 126 1900		<b>Unit</b> mm	<b>Number</b>	<b>Size</b> A3		<b>Drawing nr.</b> 304975
				<b>Scale</b> 3:1		<b>CAD File</b>		<b>Rev</b> A
							<b>Sheet</b> 1 of 1	