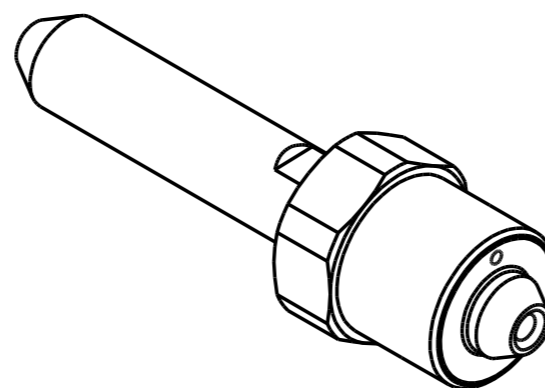


Section A-A



8	1	Swivel Fitting Shaft			304977-1
7	1	Back Up Ring Ø7xØ9x1.5	PTFE (white)		304977-6
6	1	O-Ring Ø7x1.6 90 Shore			304977-8
5	1	Slide Bearing			304977-4
4	1	Teflon Coated Ring		Teflon Side to Gland Nut pos.3	304977-5
3	1	Swivel Fitting Gland Nut			304977-2
2	1	O-Ring Ø14x1.5 70 Shore			304977-7
1	1	Swivel Fitting Housing			304977-3
Pos	Nr.	Description	Material	Remark	Drawing nr.

<b>Tolerances</b>		<b>Finish</b>					<b>Material</b>		
Unless Otherwise Specified		-					--		
ACC. DIN-ISO 2768 -1and 2		<b>Dimension (No Decimals)</b>							
Angular +/- 0,3°		0 t/m 6	6 t/m 30	30 t/m 120	120 t/m 400	400 t/m 1000			
Corners <0,2x45° / R<0,2		<b>Tolerance</b>							
		0,1	0,2	0,3	0,5	0,8			
		<b>Name</b>	<b>Date</b>	<b>Remarks</b>			<b>Description</b>		
			5-10-2022				Swivel 3200 bar		
<b>Checked</b>									
<b>Projection</b>		Drawing remains the property of Salomon Jetting Parts B.V.		<b>Unit</b>	<b>Number</b>	<b>Project</b>			
				mm					
				Salomon Jetting Parts B.V. Industriestraat 17 3291 CC Strijen www.sjpbv.com info@sjpbv.com +31 (0) 88 126 1900		<b>Size</b>	<b>Drawing nr.</b>	<b>Rev</b>	
						A3	304977	A	
				<b>Scale</b>	<b>CAD File</b>	<b>Sheet</b>			
				2.5:1		1 of 1			