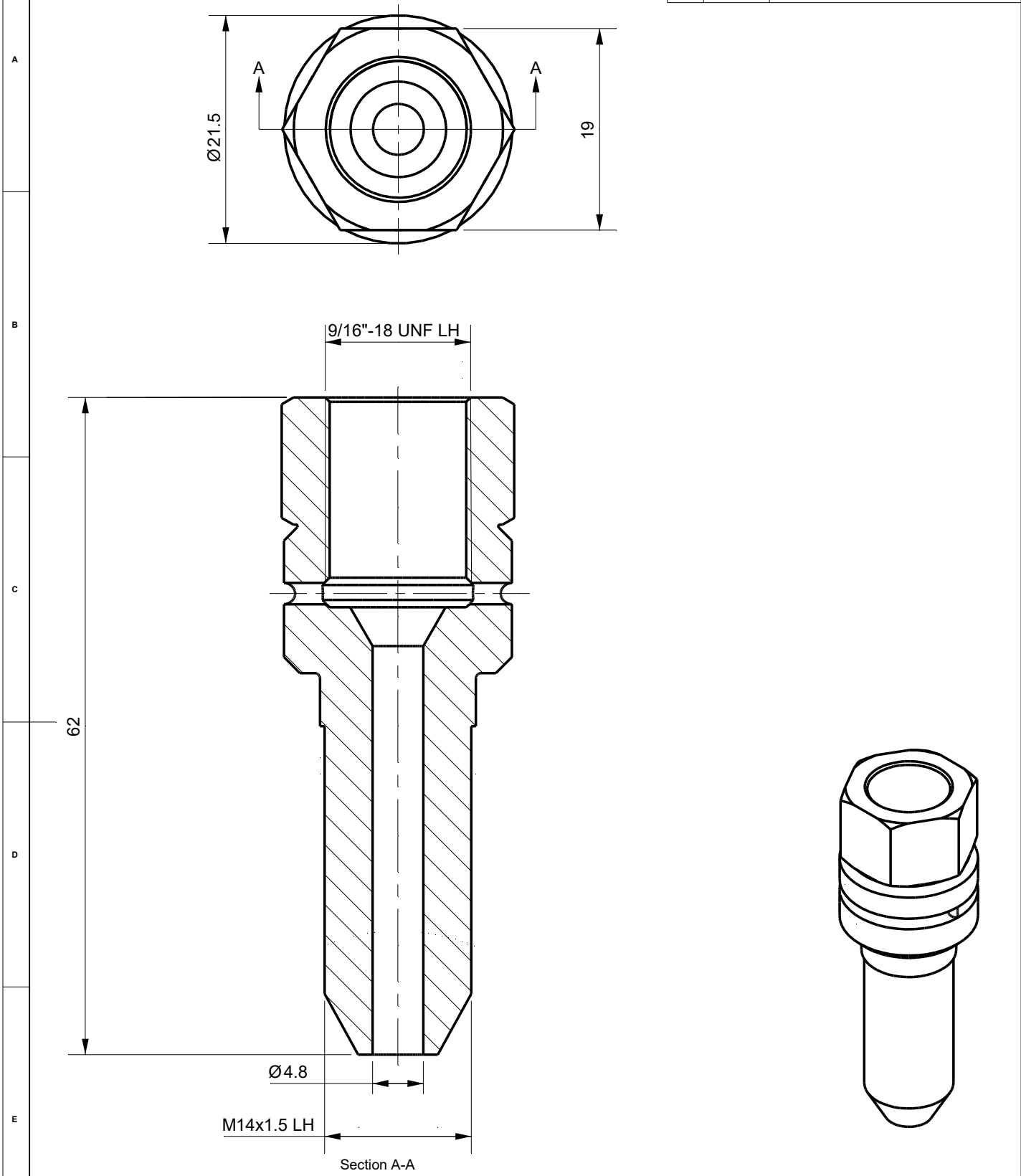


Rev.A	date	Description revision
Rev.B	23-10-2020	Thread end UNF adapted



Tolerances Unless Otherwise Specified ACC. DIN-ISO 2768 -1and 2 Angular +/- 0,3° Corners <0,2x45° / R<0,2	Finish Heat treatment					Material St.St.										
	Dimension	0 t/m 6	6 t/m 30	30 t/m 120	120 t/m 400		400 t/m 1000									
	Tolerance	0,1	0,2	0,3	0,5	0,8										
<table border="1" style="width:100%; border-collapse: collapse;"> <tr> <td style="width:15%;">Drawn</td> <td style="width:15%;">Name</td> <td style="width:15%;">Date</td> <td rowspan="3" style="text-align: center; vertical-align: middle;">Remarks Attention: Left handed thread</td> </tr> <tr> <td>Checked</td> <td></td> <td>30-7-2020</td> </tr> <tr> <td>Projection</td> <td colspan="2" style="text-align: center;"> </td> </tr> </table>	Drawn	Name	Date	Remarks Attention: Left handed thread	Checked		30-7-2020	Projection			Drawing remains the property of Salomon Jetting Parts B.V.			Unit mm	Number	Description Adapter 9/16"-18 UNF LH Female M14x1.5 LH Male
Drawn	Name	Date	Remarks Attention: Left handed thread													
Checked		30-7-2020														
Projection																
Project																
		Salomon Jetting Parts B.V. Industriestraat 17 3291 CC Strijen www.sjpbv.com info@sjpbv.com +31 (0) 88 126 1900			Size A4	Drawing nr. 304978	Rev B									
		Scale 2:1	CAD File	Sheet 1 of 1												