

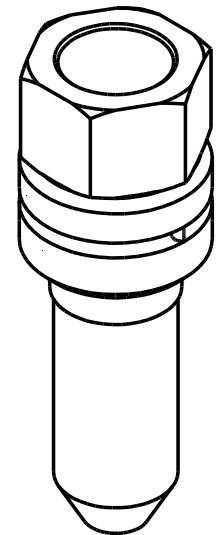
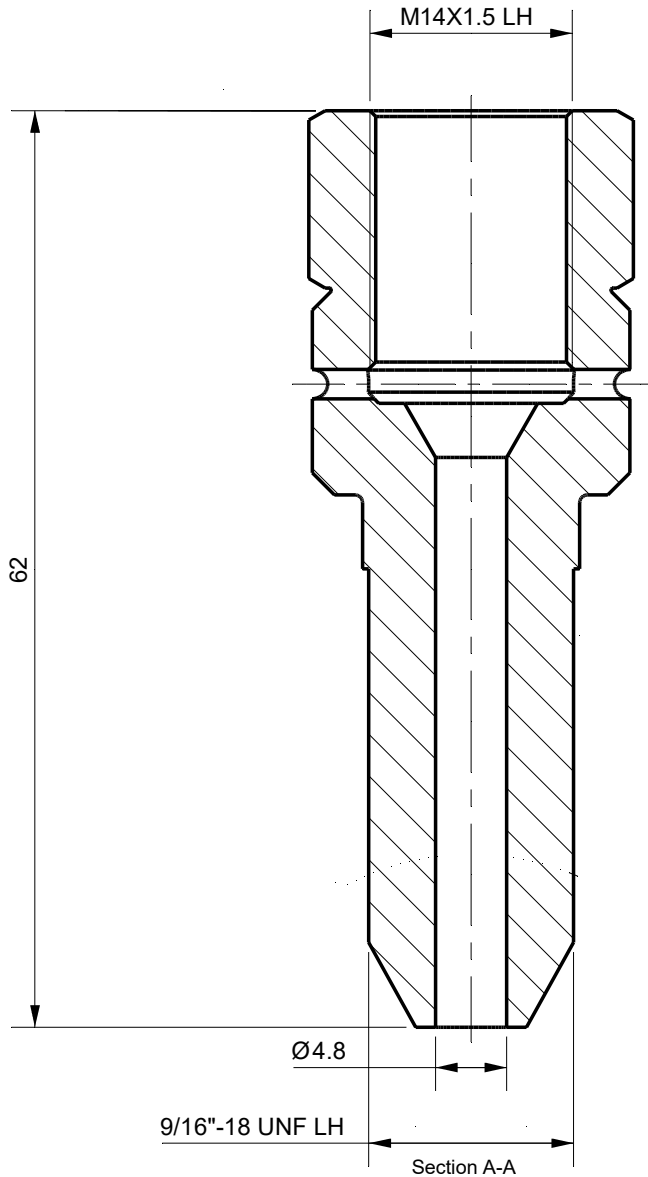
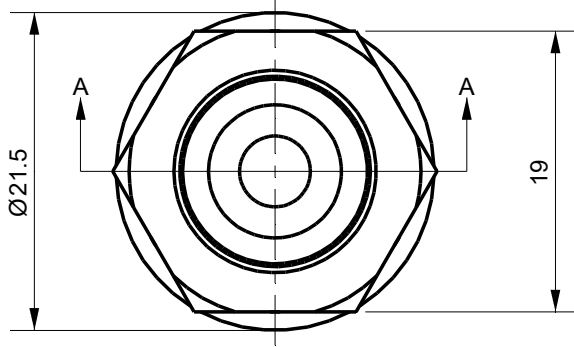
1

2

3

4

Rev.A	date	Description revision
Rev.B	23-10-2020	Thread end M14 adapted

**Tolerances**

Unless Otherwise Specified  
ACC. DIN-ISO 2768 -1and 2  
Angular +/- 0,3°  
Corners <0,2x45° / R<0,2

**Finish**

Heat treatment

**Material**

St.St.

Dimension	0 t/m 6	6 t/m 30	30 t/m 120	120 t/m 400	400 t/m 1000
Tolerance	0,1	0,2	0,3	0,5	0,8

Name

Date

Remarks

Drawn

30-7-2020

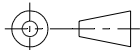
Attention: Left handed thread

Checked

**Description**

Adapter 9/16"-18 UNF LH Male  
M14x1.5 LH Female

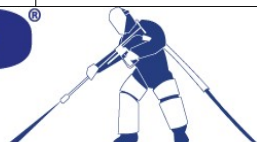
Projection



Drawing remains the property of  
Salomon Jetting Parts B.V.

Unit  
mm

Number

**Project**

Salomon Jetting Parts B.V.  
Industriestraat 17  
3291 CC Strijen  
www.sjpbv.com  
info@sjpbv.com  
+31 (0) 88 126 1900

Size  
**A4**

Drawing nr.

**304979**

Rev

**B**

Scale  
**2:1**

CAD File

Sheet

**1 of 1**