

1

2

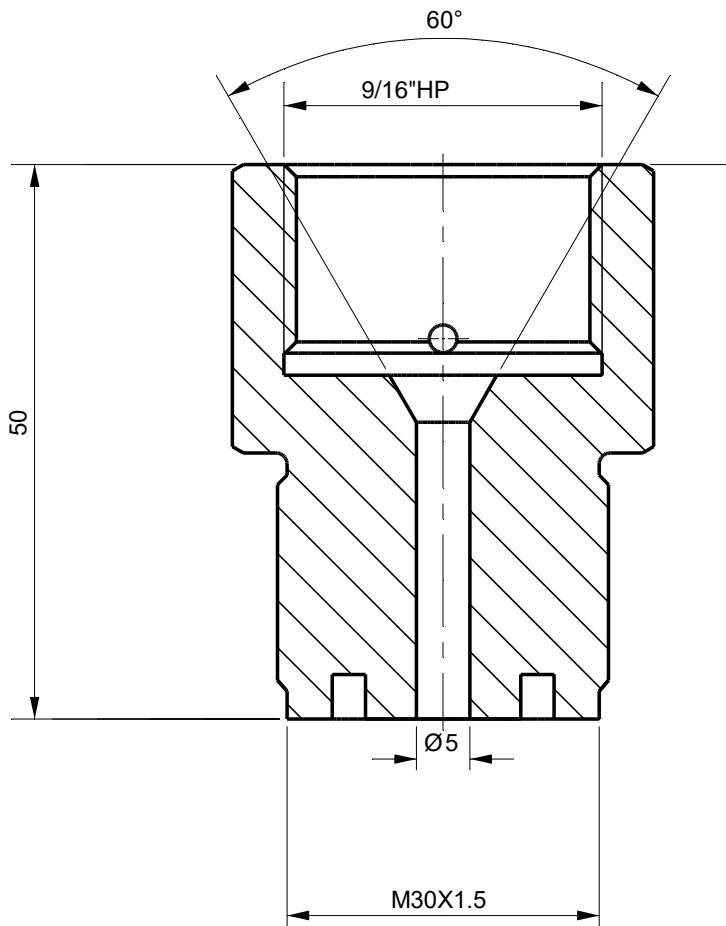
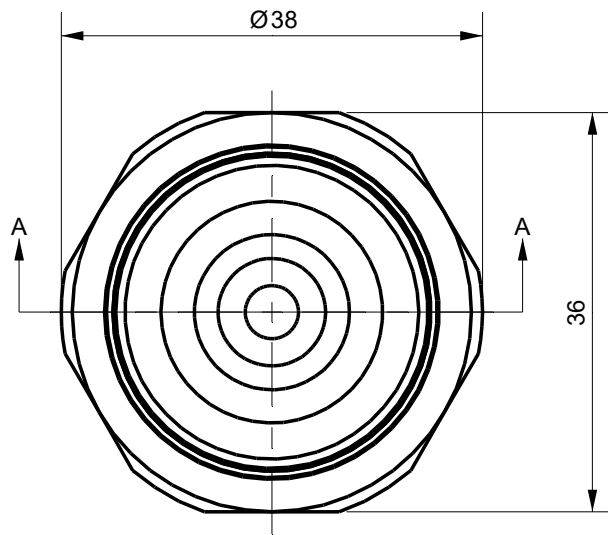
3

4

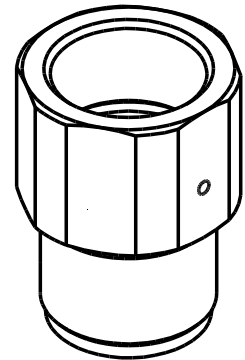
Rev.A

date

Description revision



Section A-A

**Tolerances**

Unless Otherwise Specified
ACC. DIN-ISO 2768 -1and 2
Angular +/- 0,3°
Corners <0,2x45° / R<0,2

Finish

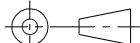
Dimension (No Decimals)	0 t/m 6	6 t/m 30	30 t/m 120	120 t/m 400	400 t/m 1000
Tolerance	0,1	0,2	0,3	0,5	0,8

Material

Name	Date	Remarks
Drawn	10-12-2020	
Checked		

Description

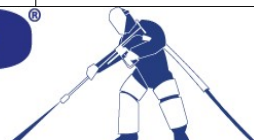
Adapter 1 1/8" UNF F - M30X1.5 M
3200 bar

Projection

Drawing remains the property of
Salomon Jetting Parts B.V.

Unit
mm

Number

Project

Salomon Jetting Parts B.V.
Industriestraat 17
3291 CC Strijen
www.sjpbv.com
info@sjpbv.com
+31 (0) 88 126 1900

Size
A4

Drawing nr.

304985

Rev

A

Scale
1.5:1

CAD File

Sheet

1 of 1