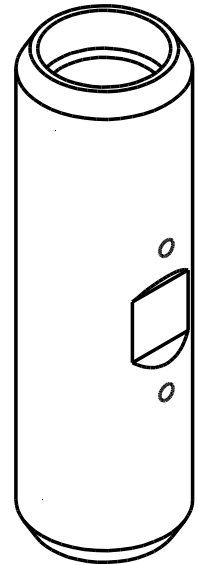
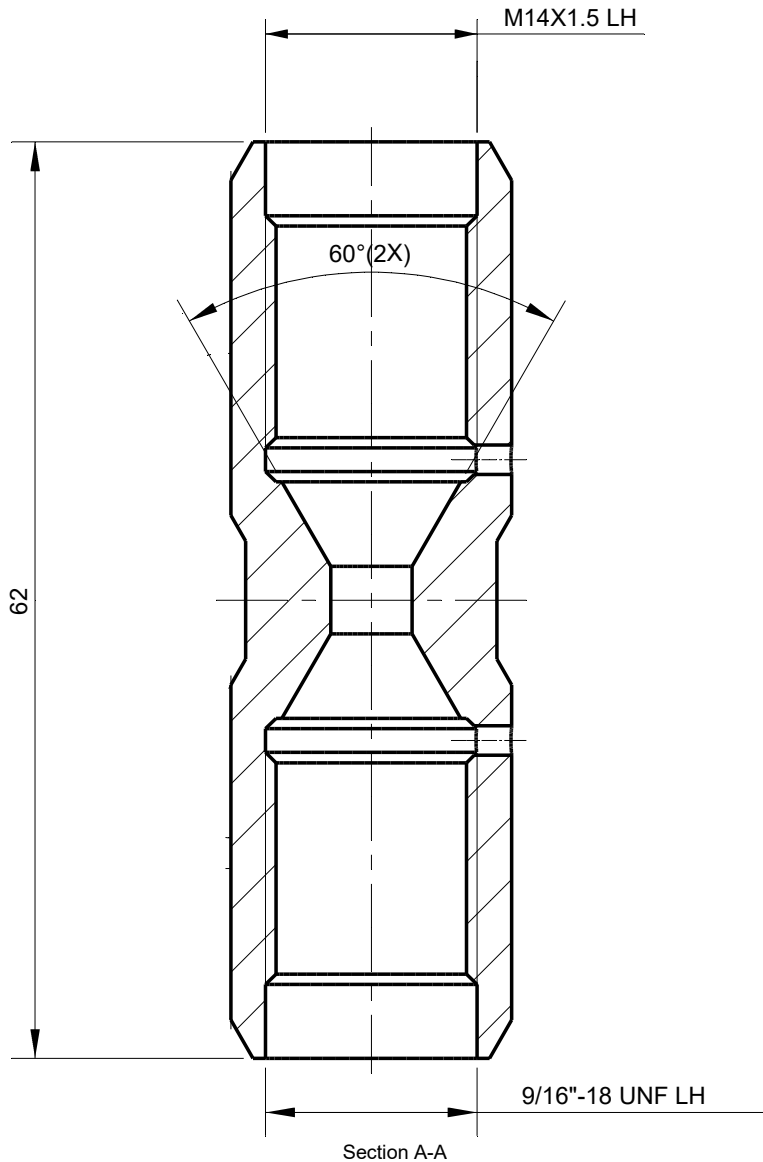


M14X1.5 LH



Section A-A

**Tolerances**

Unless Otherwise Specified  
ACC. DIN-ISO 2768 -1and 2  
Angular +/- 0,3°  
Corners <0,2x45° / R<0,2

**Finish**

Heat Treatment

**Material**

St.St.

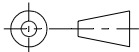
Dimension (No Decimals)	0 t/m 6	6 t/m 30	30 t/m 120	120 t/m 400	400 t/m 1000
<b>Tolerance</b>	0,1	0,2	0,3	0,5	0,8

**Name****Date**

18-11-2023

**Remarks**

attention: left handed thread !

**Description**Lance Connector 9/16"-18  
UNFLHF - M14x1,5LH LHF**Projection**Drawing remains the property of  
Salomon Jetting Parts B.V.Unit  
mm

Number

**Project**

Salomon Jetting Parts B.V.  
Reedijk 8-1  
3274 KE Heinoord  
www.sjpbv.com  
info@sjpbv.com  
+31 (0) 88 126 1900

Size  
**A4**

Drawing nr.

**304986**

Rev

**A**Scale  
**2:1**

CAD File

Sheet

**1 of 1**