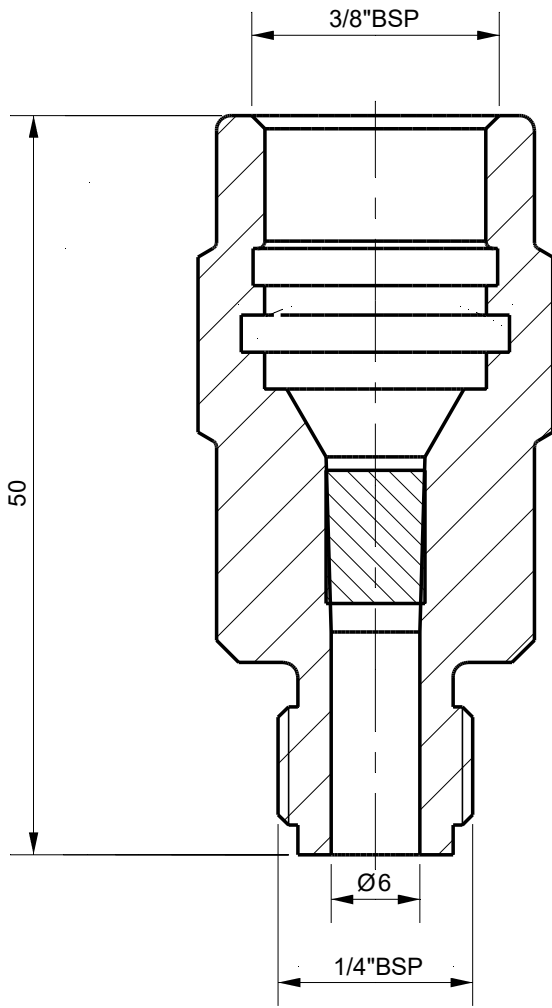
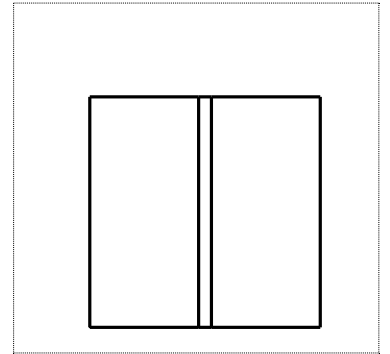
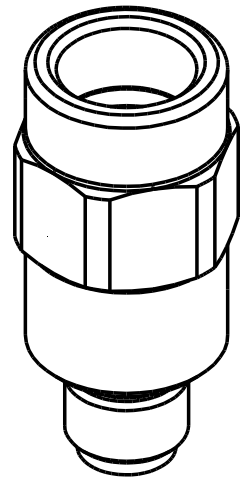


Flow Stabilizer St.St. 316



Section A-A



<b>Tolerances</b> Unless Otherwise Specified ACC. DIN-ISO 2768 -1and 2 Angular +/- 0,3° Corners <0,2x45° / R<0,2	<b>Finish</b> -					<b>Material</b> St.St. 316
	<b>Dimension (No Decimals)</b>	0 t/m 6	6 t/m 30	30 t/m 120	120 t/m 400	
<b>Tolerance</b>	0,1	0,2	0,3	0,5	0,8	<b>Description</b> Holder 1/4" BSP M fl - 3/8"BSP F 1000 bar
<b>Name</b>	<b>Date</b> 19-4-2021	<b>Remarks</b>			<b>Project</b>	
<b>Drawn</b>	<b>Checked</b>	Drawing remains the property of Salomon Jetting Parts B.V.				
<b>Projection</b>		<b>Unit</b> mm	<b>Number</b>	Project		



Salomon Jetting Parts B.V.  
 Industriestraat 17  
 3291 CC Strijen  
 www.sjpbv.com  
 info@sjpbv.com  
 +31 (0) 88 126 1900

<b>Size</b> A4	<b>Drawing nr.</b> 304987	<b>Rev</b> A
<b>Scale</b> 2:1	<b>CAD File</b>	<b>Sheet</b> 1 of 1