

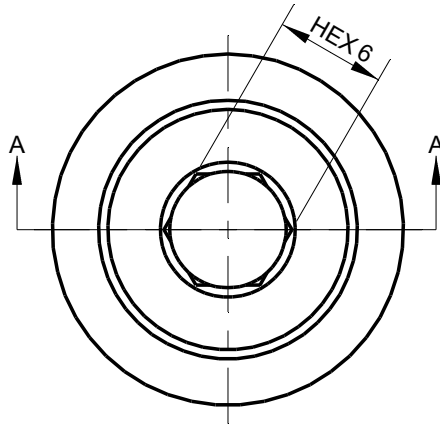
1

2

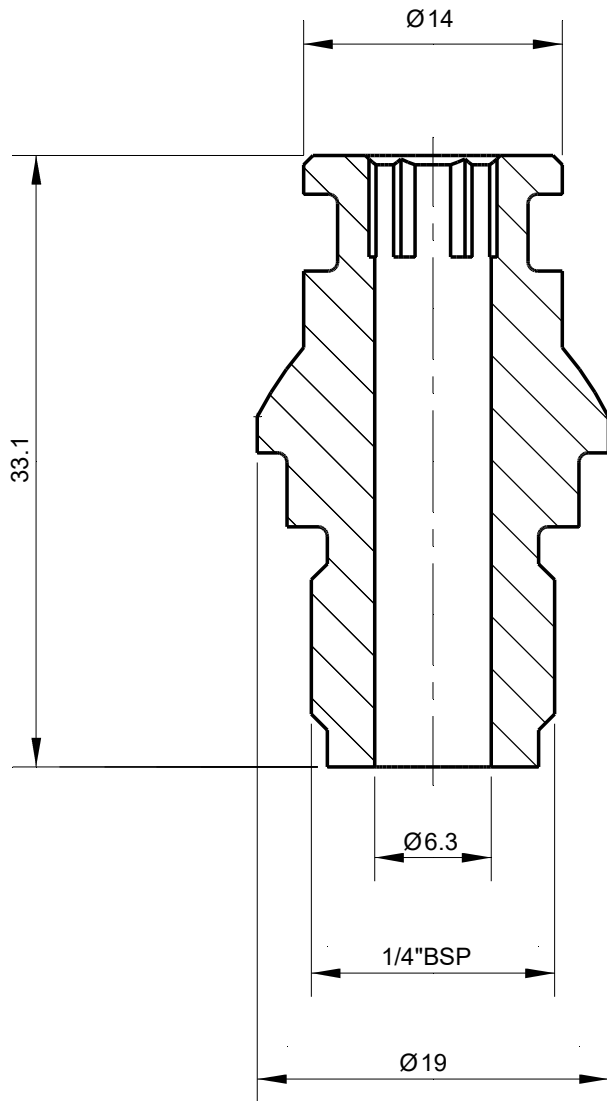
3

4

A



B

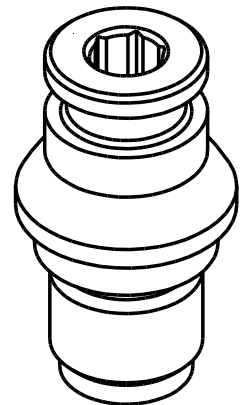


C

D

E

Section A-A

**Tolerances**

Unless Otherwise Specified
ACC. DIN-ISO 2768 -1and 2
Angular +/- 0,3°
Corners <0,2x45° / R<0,2

Finish

-

Material

St.St. 316

Dimension

0 t/m 6

6 t/m 30

30 t/m 120

120 t/m 400

400 t/m 1000

Tolerance

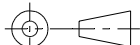
0,1

0,2

0,3

0,5

0,8

Projection**Name****Date**

21-1-2020

Date**Remarks**

Drawing remains the property of
Salomon Jetting Parts B.V.

Unit

mm

Number**Description**

Pilar Quick Screw Coupling M22

Project**Size**

A4

Drawing nr.

3190

Rev

A

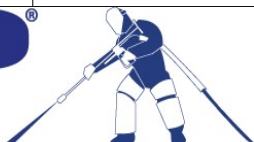
Scale

1:2.5

CAD File**Sheet**

1 of 1

F



Salomon Jetting Parts B.V.
Industriestraat 17
3291 CC Strijen
www.sjpbv.com
info@sjpbv.com
+31 (0) 88 126 1900