

1

2

3

4

A

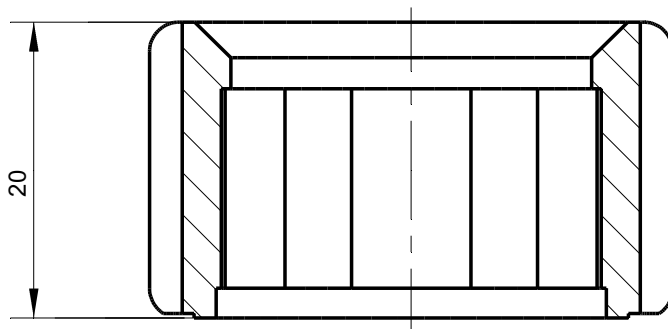
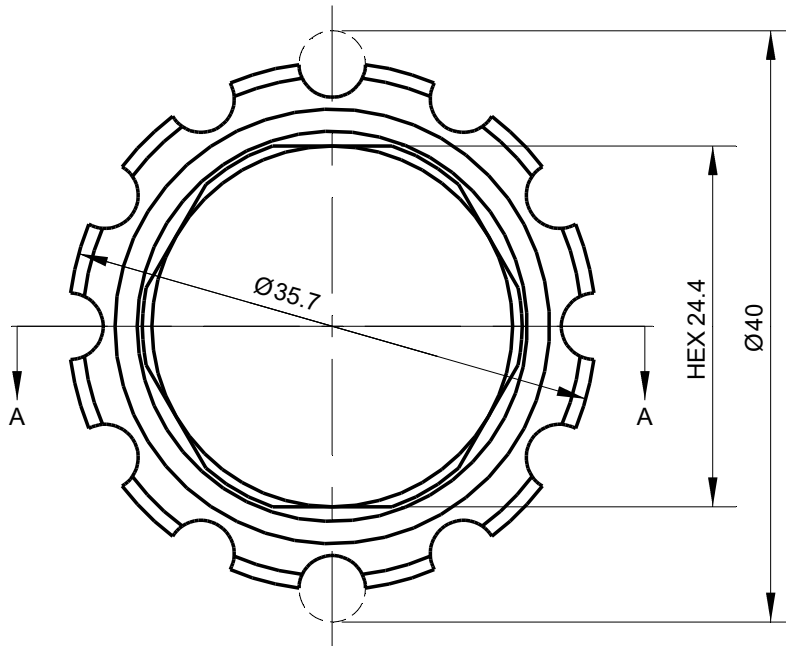
B

C

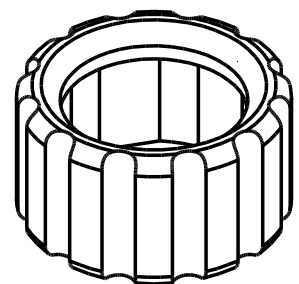
D

E

F



Section A-A

**Tolerances**

Unless Otherwise Specified
ACC. DIN-ISO 2768 -1and 2
Angular +/- 0,3°
Corners <0,2x45° / R<0,2

Finish

-

Material

POM BLACK
Polyamide acc. to 1935/2004/EC
Food Regulations

Dimension

0 t/m 6	6 t/m 30	30 t/m 120	120 t/m 400	400 t/m 1000
---------	----------	------------	-------------	--------------

Tolerance

0,1	0,2	0,3	0,5	0,8
-----	-----	-----	-----	-----

Drawn

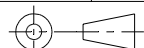
Name

Date

Remarks

Checked

15-2-2020

Projection

Drawing remains the property of
Salomon Jetting Parts B.V.

Unit
mm

Number

Project**Size**

Drawing nr.

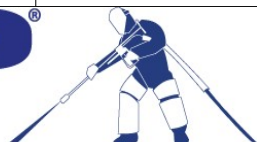
319209-1

Rev

A**Scale**

CAD File

Sheet

1 of 1

Salomon Jetting Parts B.V.
Industriestraat 17
3291 CC Strijen
www.sjpbv.com
info@sjpbv.com
+31 (0) 88 126 1900