

1

2

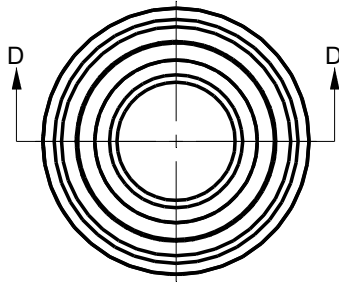
3

4

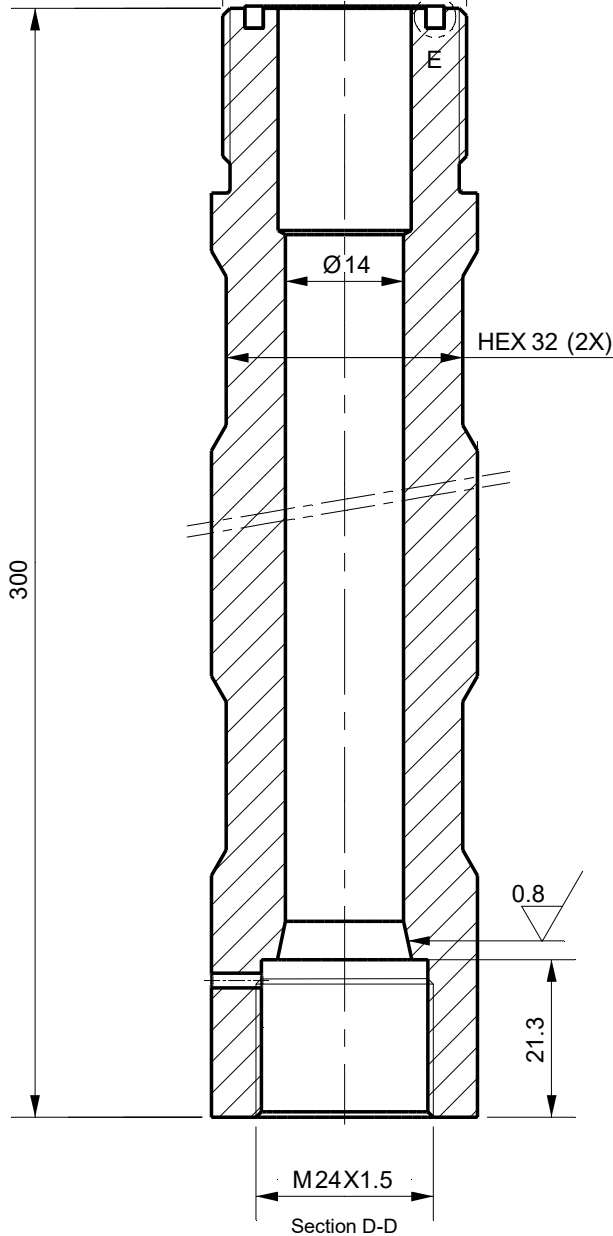
Rev.A

date

Description revision



M33X2



300

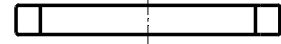
HEX 32 (2X)

M24X1.5

Section D-D

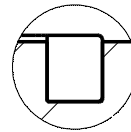
0.8

21.3

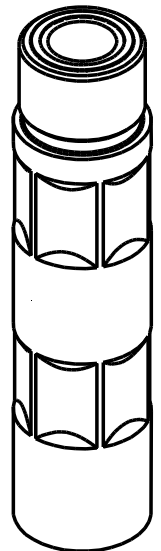


Nylon Ring

Part.nr. 304367-1



Detail E



## Tolerances

Unless Otherwise Specified  
ACC. DIN-ISO 2768 -1and 2  
Angular +/- 0,3°  
Corners <0,2x45° / R<0,2

## Finish

-

## Material

Pipe Ø36 X Ø14 1.4571  
St.St. 316 Ti

## Dimension (No Decimals)

0 t/m 6	6 t/m 30	30 t/m 120	120 t/m 400	400 t/m 1000
0,1	0,2	0,3	0,5	0,8

## Tolerance

Name

Date

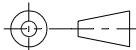
Remarks

Drawn

29-9-2023

Checked

Projection



Drawing remains the property of  
Salomon Jetting Parts B.V.

Unit  
mm

Number

Project

## Description

Inlet Lance 300 Tank  
Cleaning Head M33X2

Project

Size

Drawing nr.

Rev

A4

3559-0594-M24F

A

Scale

CAD File

Sheet

1 of 1

1:1



Salomon Jetting Parts B.V.  
Reedijk 8-1  
3274 KE Heinenoord  
www.sjpbv.com  
info@sjpbv.com  
+31 (0) 88 126 1900