

1

2

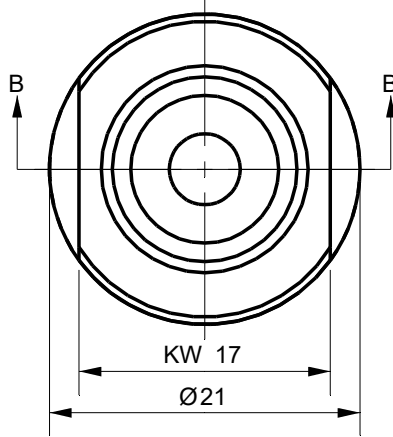
3

4

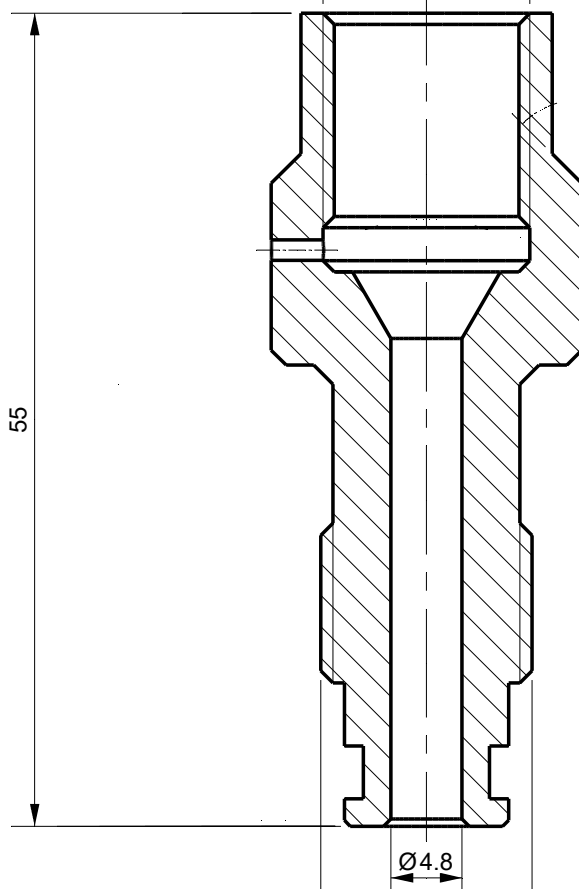
Rev.A

date

Description revision

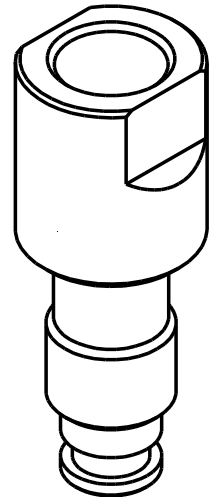


M14X1.5 LH



9/16"-18UNF

Section B-B

**Tolerances**

Unless Otherwise Specified  
ACC. DIN-ISO 2768 -1and 2  
Angular +/- 0,3°  
Corners <0,2x45° / R<0,2

**Finish**

-

**Material****Dimension (No Decimals)**

0 t/m 6	6 t/m 30	30 t/m 120	120 t/m 400	400 t/m 1000
0,1	0,2	0,3	0,5	0,8

**Tolerance**

Name

Date

3-10-2023

Checked

Projection

**Remarks**

Attention: M14X1.5 Lefthanded Thread!

Drawing remains the property of Salomon Jetting Parts B.V.

Unit

mm

Number

**Description**

Adapter 9/16"-18 UNF M -  
M14X1.5 F LH

**Project**

Size

A4

Drawing nr.

3872.916M

Rev

A

Scale

2:1

CAD File

Sheet

1 of 1



Salomon Jetting Parts B.V.

Reedijk 8-1  
3274 KE Heinenoord  
www.sjpbv.com  
info@sjpbv.com  
+31 (0) 88 126 1900