

1

2

3

4

Rev.A

date

Description revision

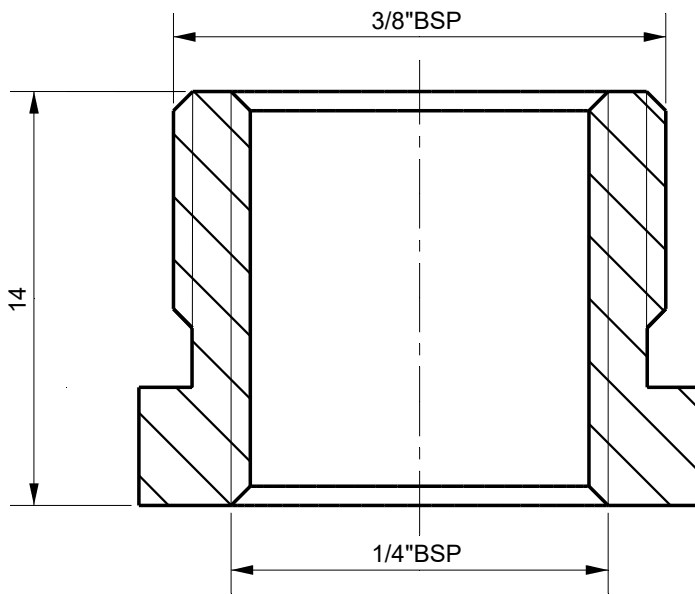
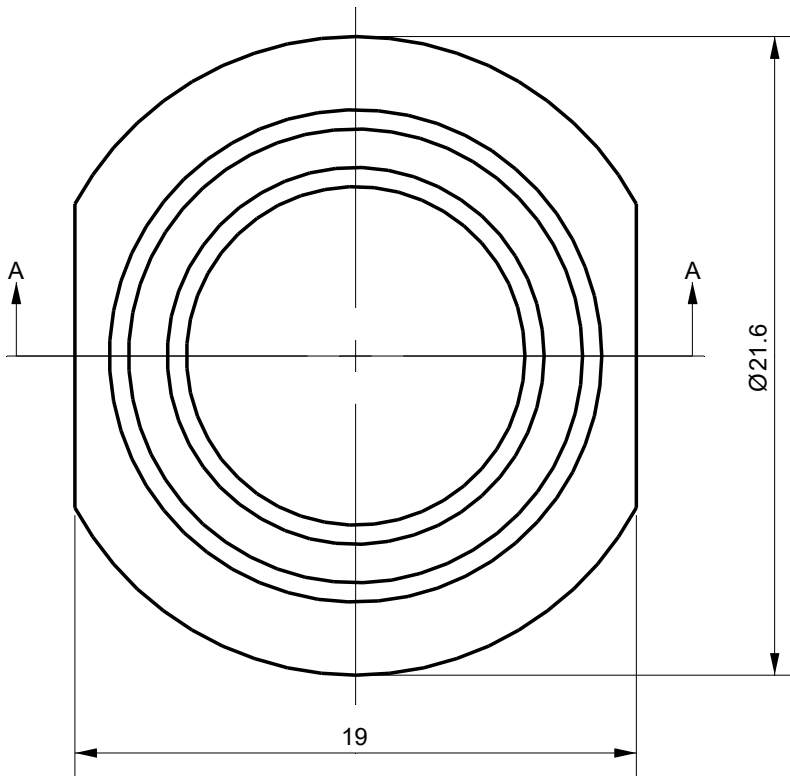
A

B

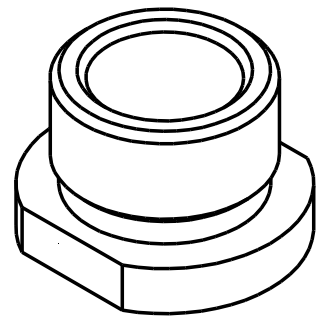
C

D

E



Section A-A

**Tolerances**

Unless Otherwise Specified
ACC. DIN-ISO 2768 -1and 2
Angular +/- 0,3°
Corners <0,2x45° / R<0,2

Finish

-

Material

St.St. 304

Dimension (No Decimals)

0 t/m 6 6 t/m 30 30 t/m 120 120 t/m 400 400 t/m 1000

Tolerance

0,1 0,2 0,3 0,5 0,8

Name

Date

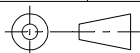
Remarks

Drawn

3-2-2022

Checked

Projection

Drawing remains the property of
Salomon Jetting Parts B.V.Unit
mm

Number

Project

Size

Drawing nr.

Rev



Salomon Jetting Parts B.V.

Industriestraat 17
3291 CC Strijen
www.sjpbv.com
info@sjpbv.com
+31 (0) 88 126 1900

A4

4102

A

Scale

CAD File

Sheet

1 of 1

F