

1

2

3

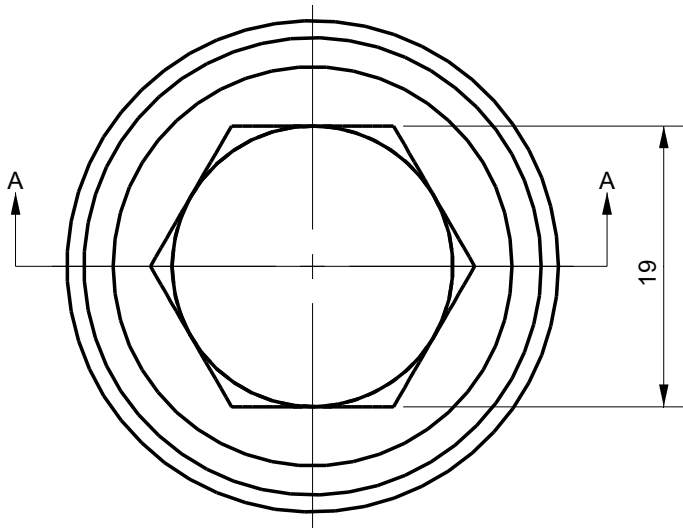
4

Rev.A

date

Description revision

A



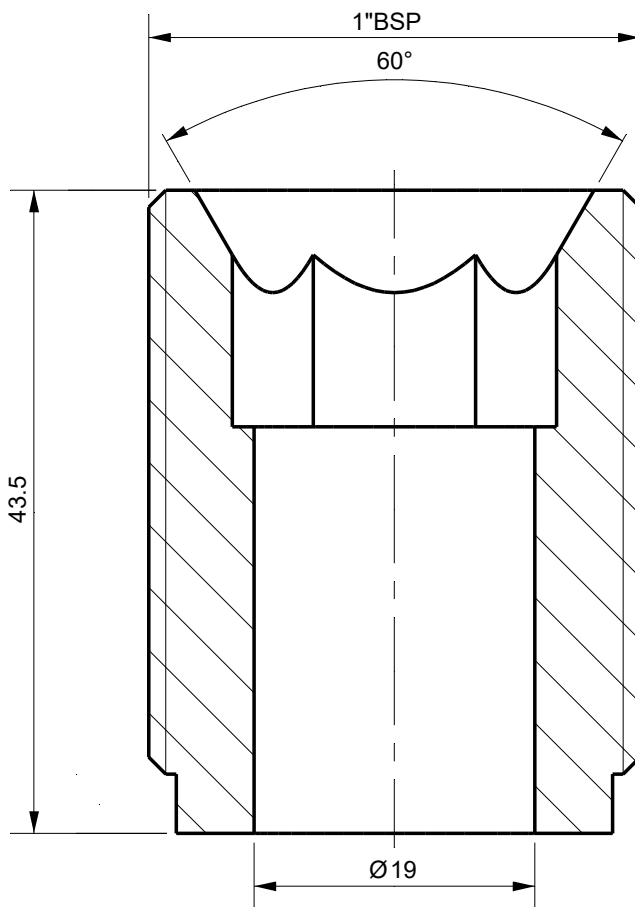
19

B

C

D

E

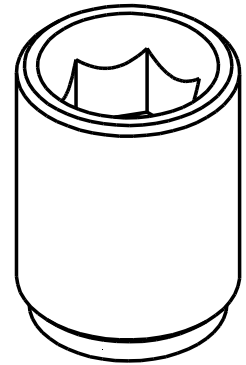


1" BSP

60°

43.5

Ø19



Section A-A

Tolerances

Unless Otherwise Specified
ACC. DIN-ISO 2768 -1and 2
Angular +/- 0,3°
Corners <0,2x45° / R<0,2

Finish

-

Material

St.St. 316

Dimension (No Decimals)

0 t/m 6

6 t/m 30

30 t/m 120

120 t/m 400

400 t/m 1000

Tolerance

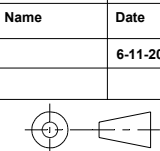
0,1

0,2

0,3

0,5

0,8

Projection**Name****Date**

6-11-2023

Remarks

Drawing remains the property of
Salomon Jetting Parts B.V.

Unit

mm

Number**Description**

Adapter b/s 1" BSPM
Full Thread 400 bar

Project**Size**

A4

Drawing nr.

4110

Rev

A

Scale

2:1

CAD File**Sheet**

1 of 1



Salomon Jetting Parts B.V.

Reedijk 8-1
3274 KE Heinenoord
www.sjpbv.com
info@sjpbv.com
+31 (0) 88 126 1900