

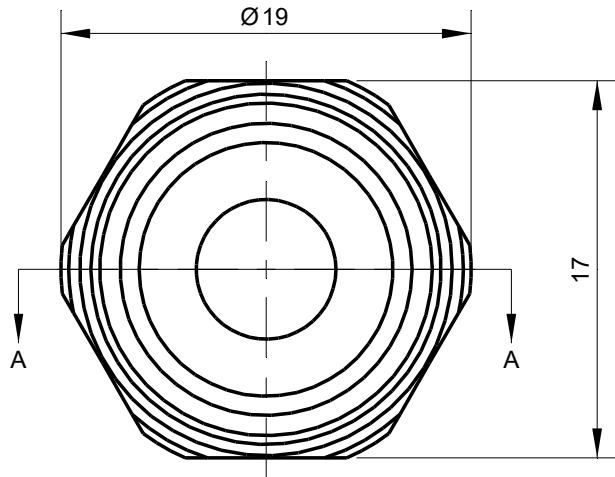
1

2

3

4

A

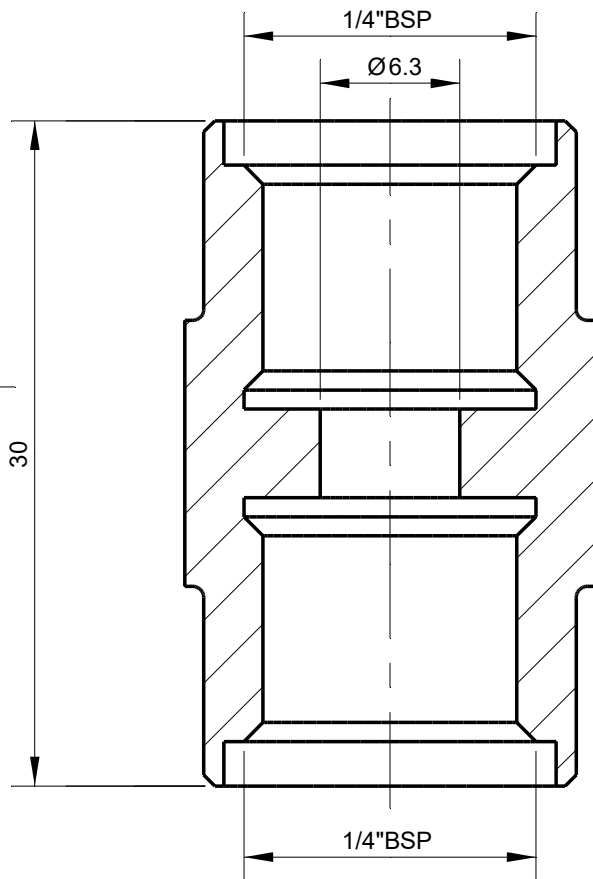


B

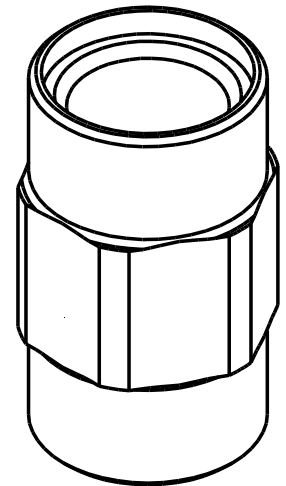
C

D

E



Section A-A

**Tolerances**

Unless Otherwise Specified
ACC. DIN-ISO 2768 -1and 2
Angular +/- 0,3°

Corners <math><0,2 \times 45^\circ / R < 0,2</math>

Finish

-

Material

St.St. 316

Dimension

0 t/m 6	6 t/m 30	30 t/m 120	120 t/m 400	400 t/m 1000
0,1	0,2	0,3	0,5	0,8

Tolerance

Name

Date

Remarks

Description

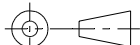
Adapter 1/4\"/>

Drawn

29-1-2020

Checked

Projection



Drawing remains the property of
Salomon Jetting Parts B.V.

Unit
mm

Number

Project



Salomon Jetting Parts B.V.
Industriestraat 17
3291 CC Strijen
www.sjpbv.com
info@sjpbv.com
+31 (0) 88 126 1900

Size
A4

Drawing nr.

56139.1

Rev

AScale
3:1

CAD File

Sheet

1 of 1