

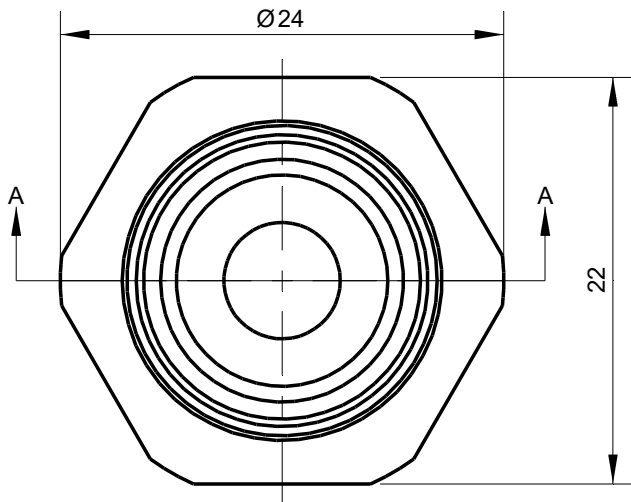
1

2

3

4

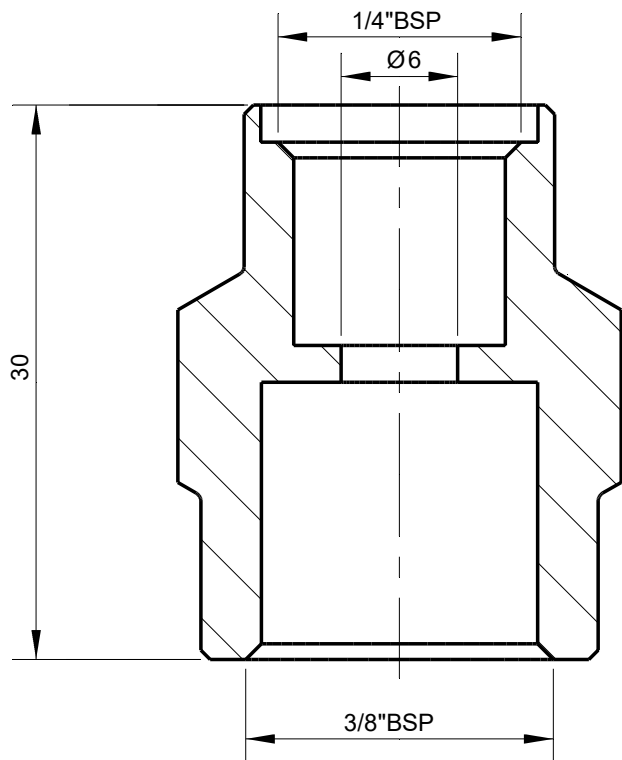
A



B

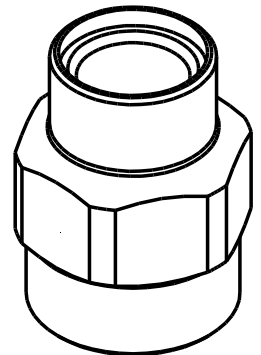
C

D



E

Section A-A

**Tolerances**

Unless Otherwise Specified  
ACC. DIN-ISO 2768 -1and 2  
Angular +/- 0,3°  
Corners <0,2x45° / R<0,2

**Finish**

-

**Material**

St.St. 316

**Dimension**

0 t/m 6

6 t/m 30

30 t/m 120

120 t/m 400

400 t/m 1000

**Tolerance**

0,1

0,2

0,3

0,5

0,8

**Drawn**

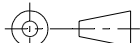
Name

**Date**

30-1-2020

**Remarks****Description**

Adapter 1/4"BSPF - 3/8"BSPF 500 bar

**Checked****Projection**Drawing remains the property of  
Salomon Jetting Parts B.V.Unit  
mm

Number

**Project**

Salomon Jetting Parts B.V.  
Industriestraat 17  
3291 CC Strijen  
www.sjpbv.com  
info@sjpbv.com  
+31 (0) 88 126 1900

Size  
**A4**

Drawing nr.

**56159.1**

Rev

**A**Scale  
**2.5:1**

CAD File

Sheet

**1 of 1**