

1

2

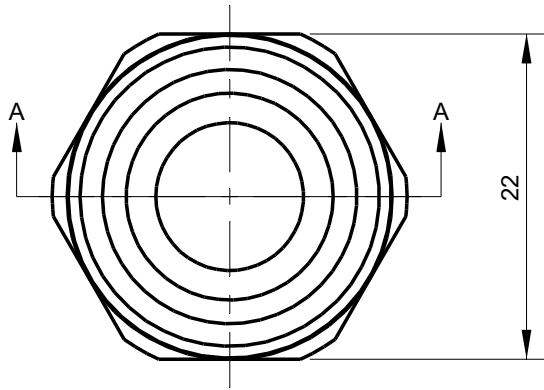
3

4

Rev.A date

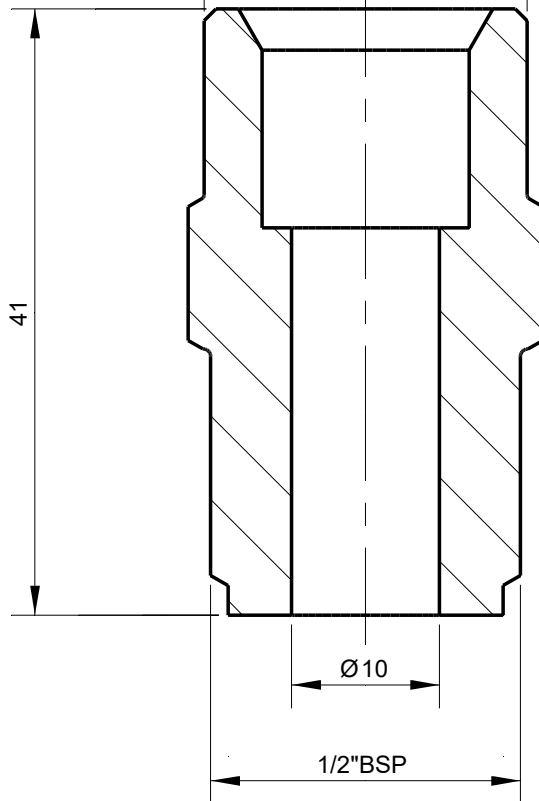
Description revision

Rev.B 4-3-2021



22

M22X1.5

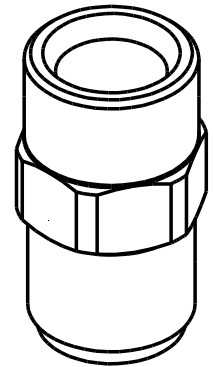


41

Ø10

1/2"BSP

Section A-A



Tolerances

Unless Otherwise Specified
ACC. DIN-ISO 2768 -1and 2
Angular +/- 0,3°
Corners <0,2x45° / R<0,2

Finish

-

Material

St.St. 316

Dimension

0 t/m 6 6 t/m 30 30 t/m 120 120 t/m 400 400 t/m 1000

Tolerance

0,1 0,2 0,3 0,5 0,8

Name

Date

Remarks

Drawn

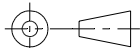
24-1-2020

Checked

Description

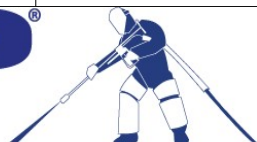
Adapter M22X1.5M - 1/2"BSPMFL 500 bar

Projection

Drawing remains the property of
Salomon Jetting Parts B.V.Unit
mm

Number

Project



Salomon Jetting Parts B.V.
Industriestraat 17
3291 CC Strijen
www.sjpbv.com
info@sjpbv.com
+31 (0) 88 126 1900

Size
A4

Drawing nr.

56569-S

Rev

BScale
2:1

CAD File

Sheet

1 of 1