

1

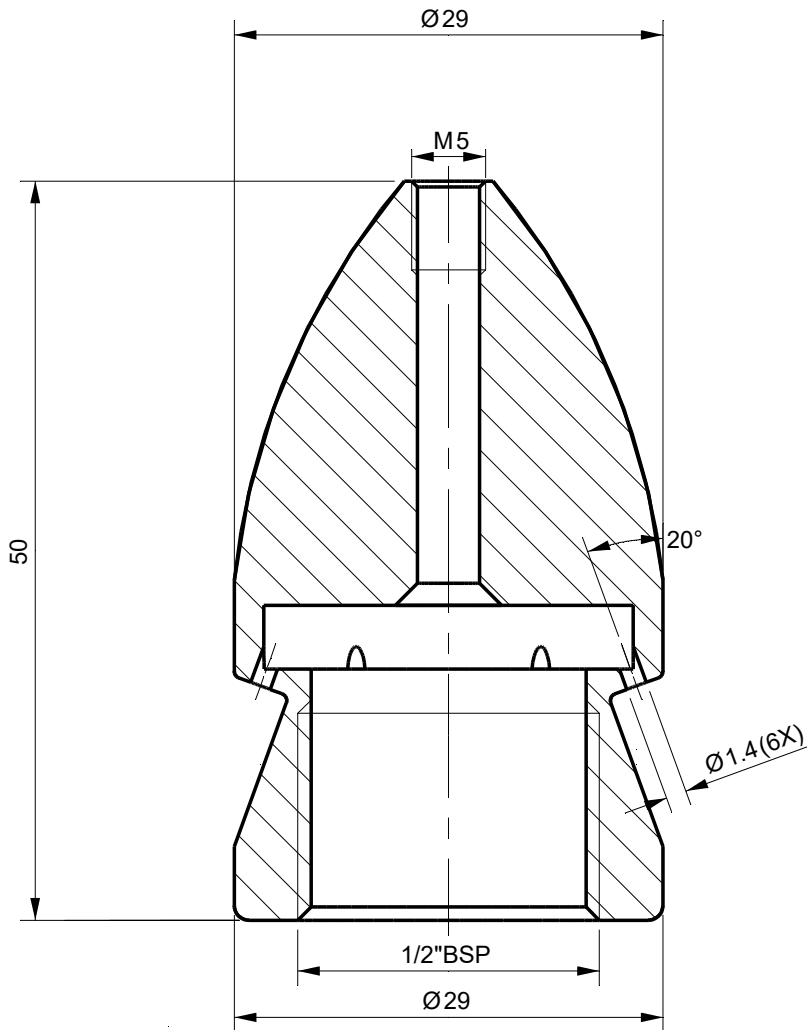
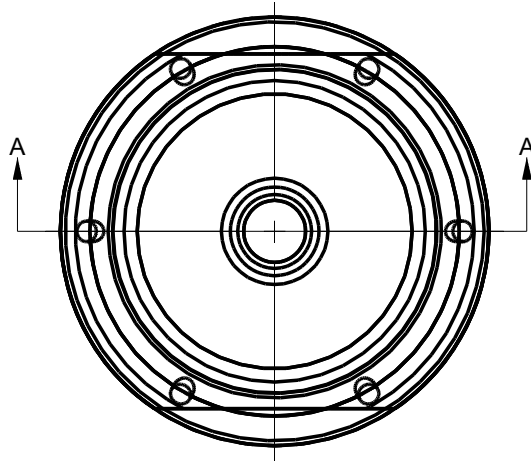
2

3

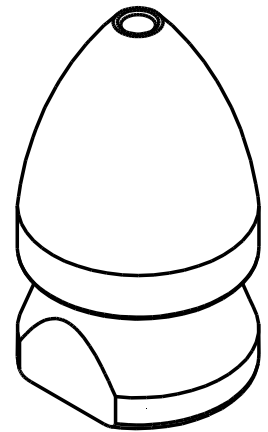
4

Rev.A date

Description revision



Section A-A

**Tolerances**

Unless Otherwise Specified  
ACC. DIN-ISO 2768 -1and 2  
Angular +/- 0,3°  
Corners <0,2x45° / R<0,2

**Finish**

-

**Material**

St.St. 316

**Dimension (No Decimals)**

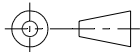
0 t/m 6	6 t/m 30	30 t/m 120	120 t/m 400	400 t/m 1000
0,1	0,2	0,3	0,5	0,8

**Tolerance****Description**

Standard Nozzle 30

**Name****Date**

20-7-2023

**Remarks****Drawn****Checked****Projection**

Drawing remains the property of  
Salomon Jetting Parts B.V.

**Unit**

mm

**Number****Project****Size**

A4

**Drawing nr.**

6-6130614

**Rev**

A

Scale  
2:1**CAD File****Sheet**

1 of 1



Salomon Jetting Parts B.V.  
Reedijk 8-1  
3274 KE Heinenoord  
www.sjpbv.com  
info@sjpbv.com  
+31 (0) 88 126 1900