

1

2

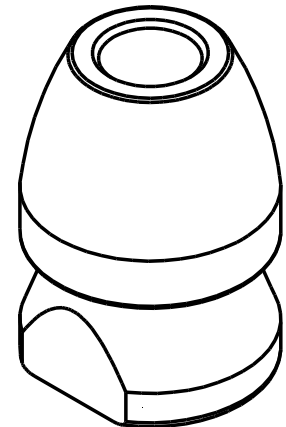
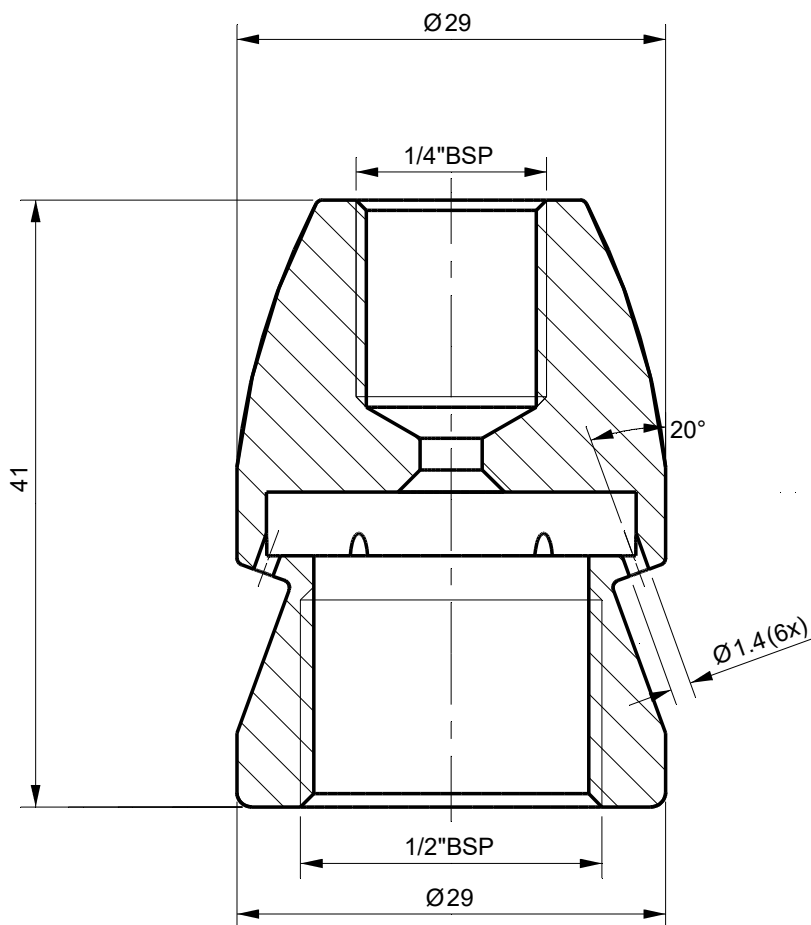
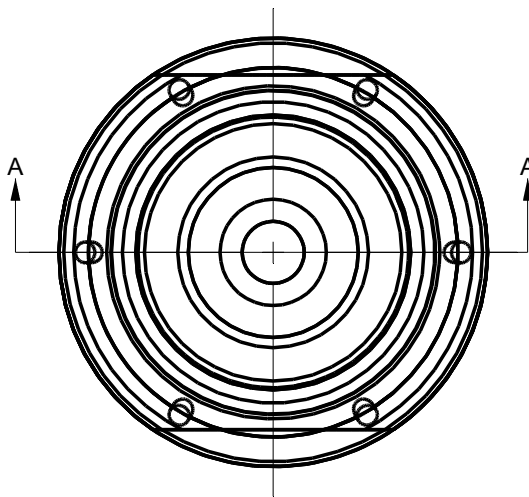
3

4

Rev.A

date

Description revision



Section A-A

Tolerances

Unless Otherwise Specified
ACC. DIN-ISO 2768 -1and 2
Angular +/- 0,3°
Corners <0,2x45° / R<0,2

Finish**Dimension (No Decimals)**

0 t/m 6	6 t/m 30	30 t/m 120	120 t/m 400	400 t/m 1000
0,1	0,2	0,3	0,5	0,8

Tolerance**Material**

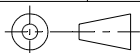
St.St. 316

Name**Date**

20-7-2023

Remarks**Description**

Standard Nozzle
30 1/4\"/>

Projection

Drawing remains the property of
Salomon Jetting Parts B.V.

Unit
mm

Number

Project

Salomon Jetting Parts B.V.
Reedijk 8-1
3274 KE Heinenoord
www.sjpbv.com
info@sjpbv.com
+31 (0) 88 126 1900

Size
A4

Drawing nr.

6-6130615

Rev

A

Scale
2:1

CAD File

Sheet

1 of 1