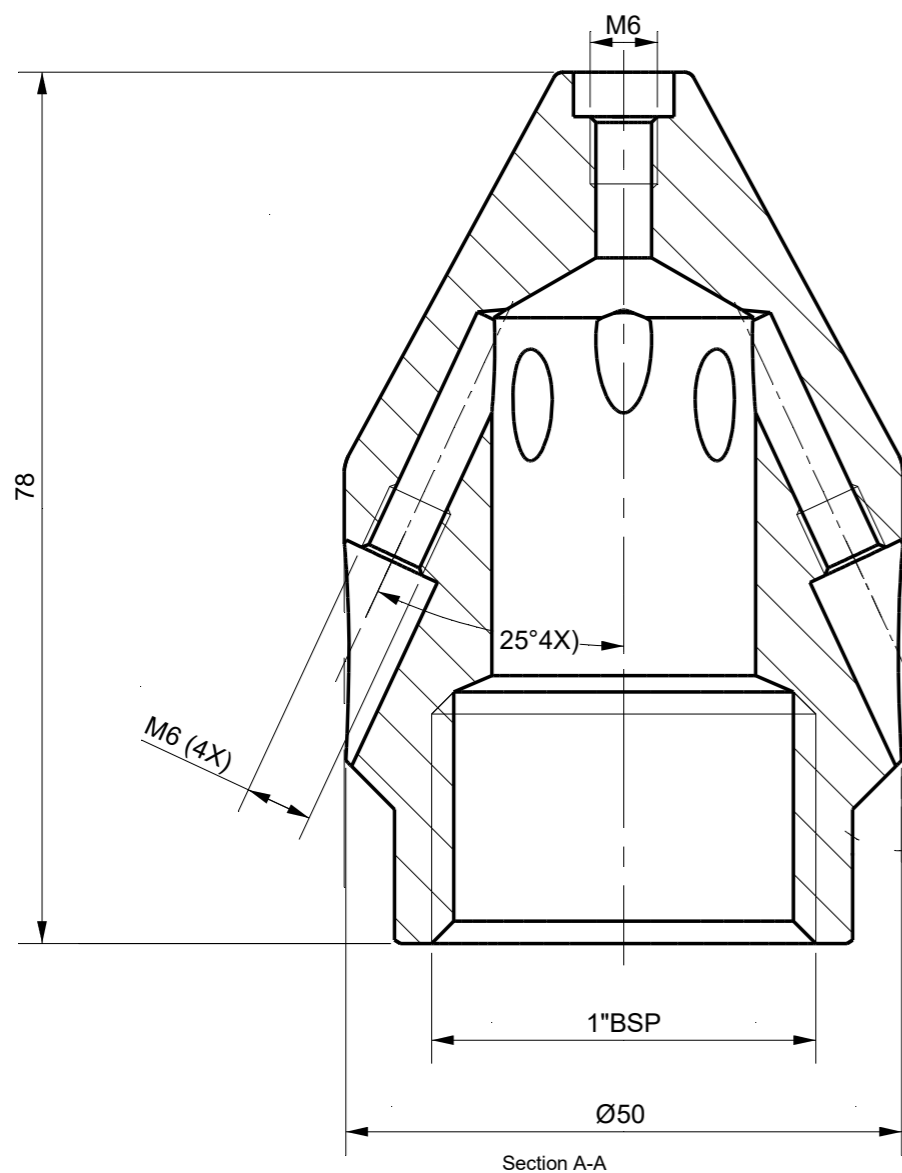
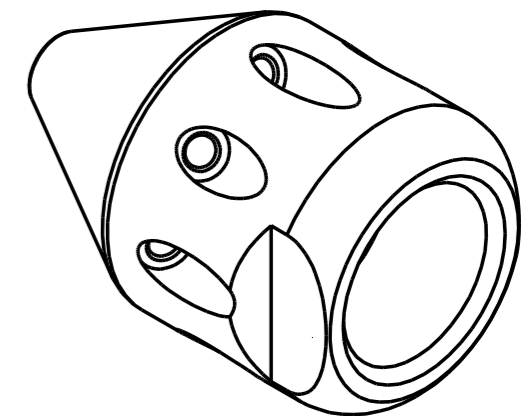


Section B-B



Section A-A

Tolerances Unless Otherwise Specified ACC. DIN-ISO 2768 -1and 2 Angular +/- 0,3° Corners <0,2x45° / R<0,2		Finish <table border="1"> <tr> <th>Dimension (No Decimals)</th> <th>0 t/m 6</th> <th>6 t/m 30</th> <th>30 t/m 120</th> <th>120 t/m 400</th> <th>400 t/m 1000</th> </tr> <tr> <td>Tolerance</td> <td>0,1</td> <td>0,2</td> <td>0,3</td> <td>0,5</td> <td>0,8</td> </tr> </table>					Dimension (No Decimals)	0 t/m 6	6 t/m 30	30 t/m 120	120 t/m 400	400 t/m 1000	Tolerance	0,1	0,2	0,3	0,5	0,8	Material		
Dimension (No Decimals)	0 t/m 6	6 t/m 30	30 t/m 120	120 t/m 400	400 t/m 1000																
Tolerance	0,1	0,2	0,3	0,5	0,8																
<table border="1"> <tr> <th>Name</th> <th>Date</th> <th>Remarks</th> </tr> <tr> <td>Drawn</td> <td>19-5-2023</td> <td></td> </tr> <tr> <td>Checked</td> <td></td> <td></td> </tr> </table>	Name	Date	Remarks	Drawn	19-5-2023		Checked			Description <p style="text-align: center; font-size: 1.2em;">Streamer 1"</p>											
Name	Date	Remarks																			
Drawn	19-5-2023																				
Checked																					
Projection 	Drawing remains the property of Salomon Jetting Parts B.V.					Unit mm	Number	Project													
		Salomon Jetting Parts B.V. Reedijk 8-1 3274 KE Heinenoord www.sjpbv.com info@sjpbv.com +31 (0) 88 126 1900			Size A3	Drawing nr. 6-6180010	Rev A														
		Scale 1.5:1	CAD File	Sheet 1 of 1																	