

1

2

3

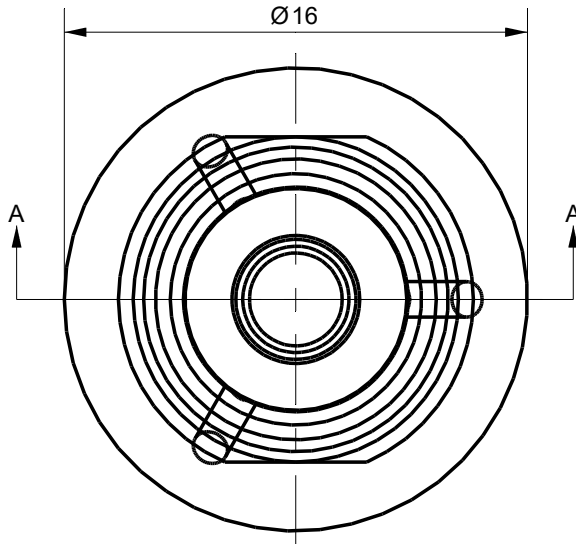
4

Rev.A

date

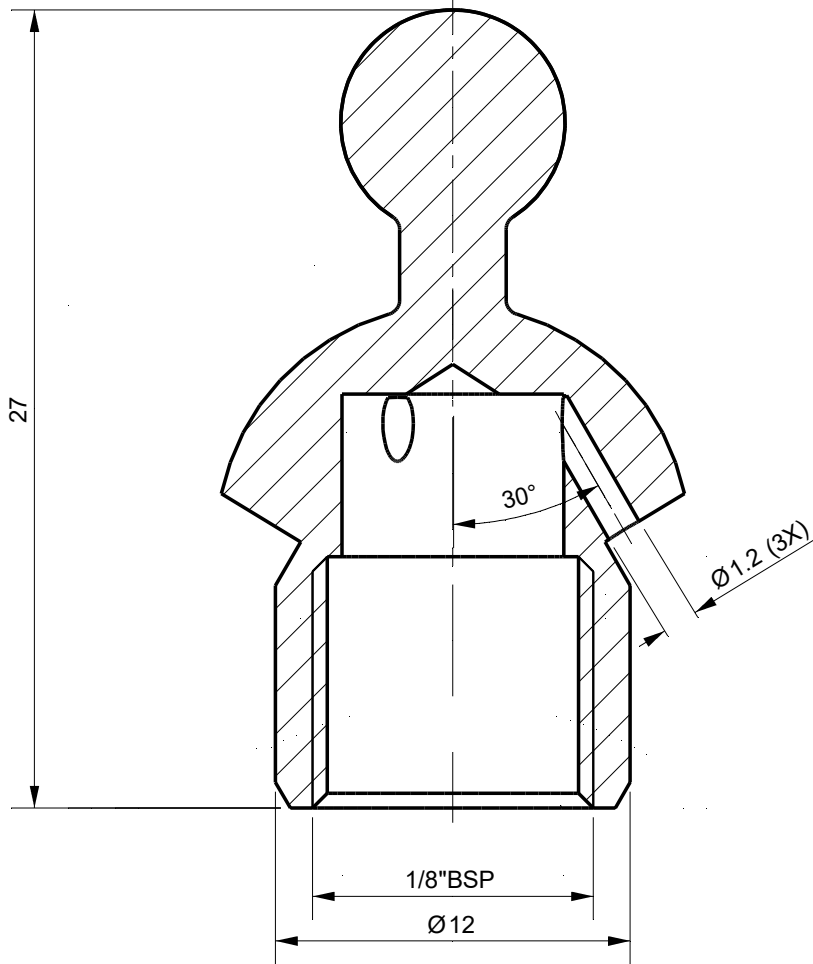
Description revision

A



B

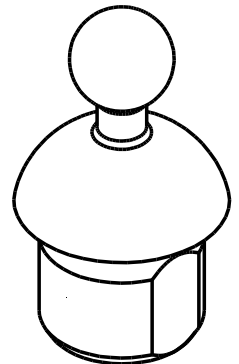
C



D

E

Section A-A

**Tolerances**

Unless Otherwise Specified
ACC. DIN-ISO 2768 -1and 2
Angular +/- 0,3°
Corners <0,2x45° / R<0,2

Finish

-

Material

St.St. 316

Dimension (No Decimals)

0 t/m 6 6 t/m 30 30 t/m 120 120 t/m 400 400 t/m 1000

Tolerance

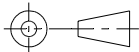
0,1 0,2 0,3 0,5 0,8

Name**Date****Remarks****Drawn**

29-2-2024

Checked**Description**

Drop Head Nozzle
1/8" BSPF

Projection

Drawing remains the property of
Salomon Jetting Parts B.V.

Unit

mm

Number**Project**

F



Salomon Jetting Parts B.V.

Industriestraat 17
3291 CC Strijen
www.sjpbv.com
info@sjpbv.com
+31 (0) 88 126 1900

Size

A4

Drawing nr.

63-310-18 / 4

Rev

A

Scale

4:1

CAD File**Sheet**

1 of 1