

1

2

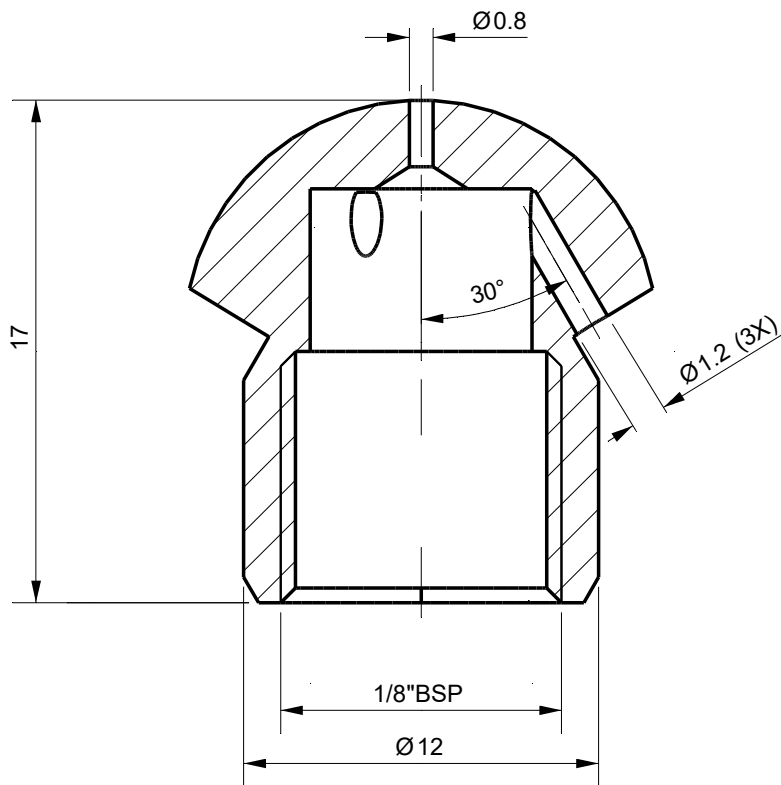
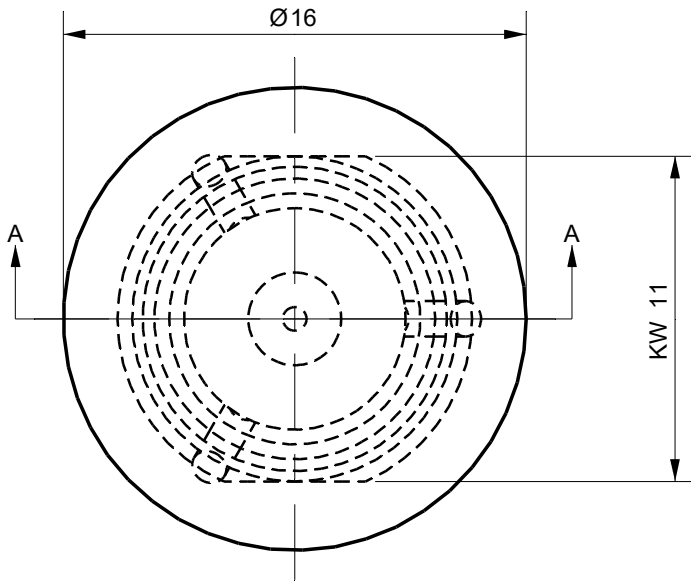
3

4

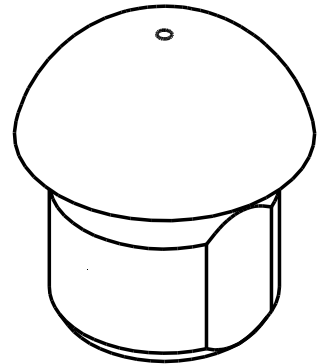
Rev.A

date

Description revision



Section A-A



Tolerances

Unless Otherwise Specified
ACC. DIN-ISO 2768 -1and 2
Angular +/- 0,3°
Corners <math><0,2 \times 45^\circ / R<0,2</math>

Finish

-

Material

St.St. 316

Dimension (No Decimals)

0 t/m 6	6 t/m 30	30 t/m 120	120 t/m 400	400 t/m 1000
0,1	0,2	0,3	0,5	0,8

Tolerance

Description

Nozzle 3X1.2 mm +1X0.8 mm

Name

Date

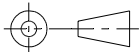
20-5-2021

Remarks

Drawn

Checked

Projection



Drawing remains the property of
Salomon Jetting Parts B.V.

Unit
mm

Number

Project



Salomon Jetting Parts B.V.
Industriestraat 17
3291 CC Strijen
www.sjpbv.com
info@sjpbv.com
+31 (0) 88 126 1900

Size
A4

Drawing nr.

63-319-30

Rev

AScale
4:1

CAD File

Sheet

1 of 1