

1

2

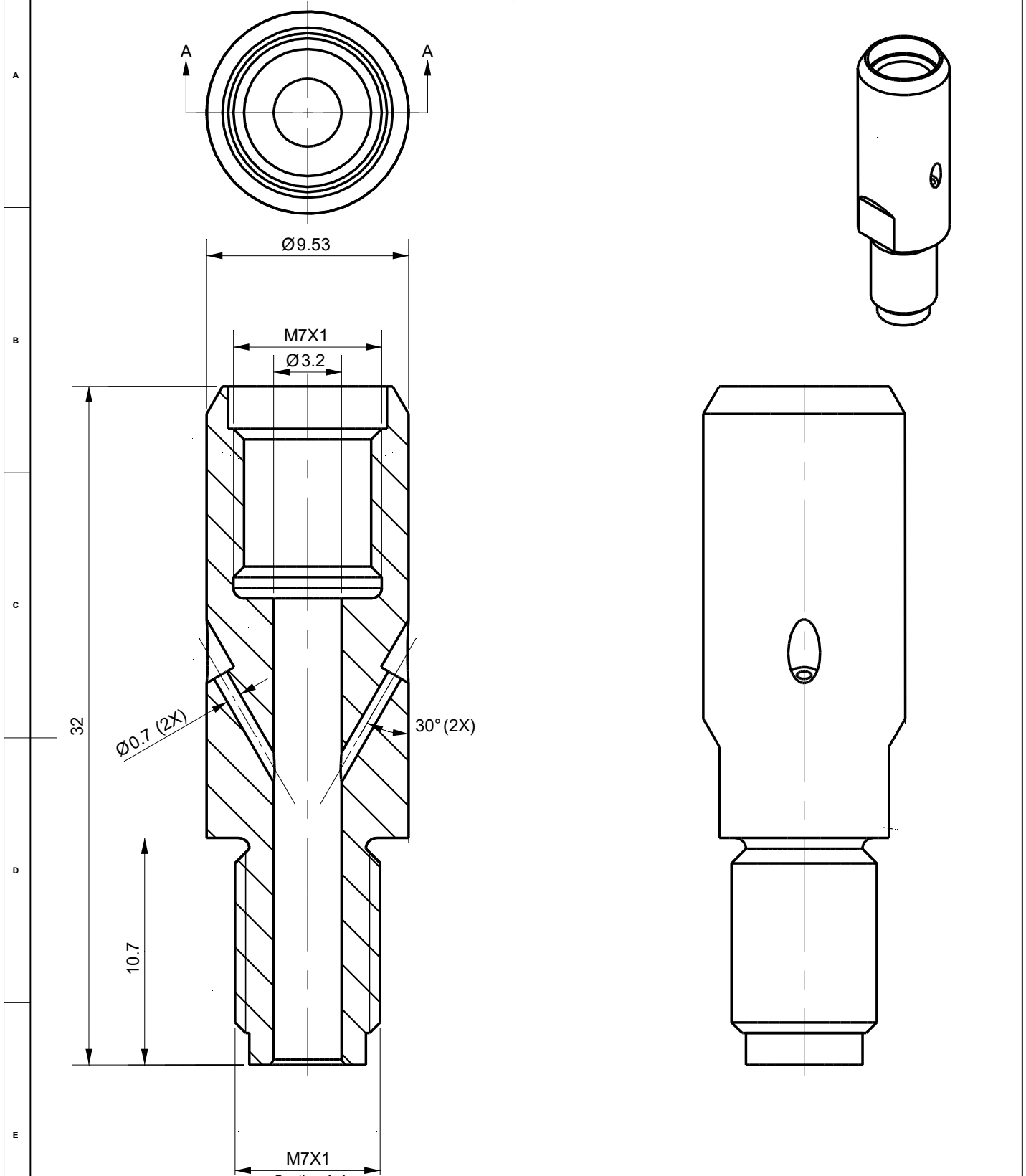
3

4

Rev.A

date

Description revision

**Tolerances**

Unless Otherwise Specified
 ACC. DIN-ISO 2768 -1and 2
 Angular +/- 0,3°
 Corners <0,2x45° / R<0,2

Finish

-

Material

1/8" Hard 304/304L Seamless Tube

Dimension (No Decimals)

0 t/m 6 6 t/m 30 30 t/m 120 120 t/m 400 400 t/m 1000

Tolerance

0,1 0,2 0,3 0,5 0,8

Drawn

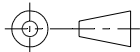
Name

Date

Remarks

Checked

21-11-2021

Projection

Drawing remains the property of
 Salomon Jetting Parts B.V.

Unit
mm

Number

Project

Size

Drawing nr.

Rev



Salomon Jetting Parts B.V.
 Industriestraat 17
 3291 CC Strijen
 www.sjpbv.com
 info@sjpbv.com
 +31 (0) 88 126 1900

A4**ND10-S****A****Scale**

CAD File

Sheet

1 of 1

E

D

C

B

A

F