

1

2

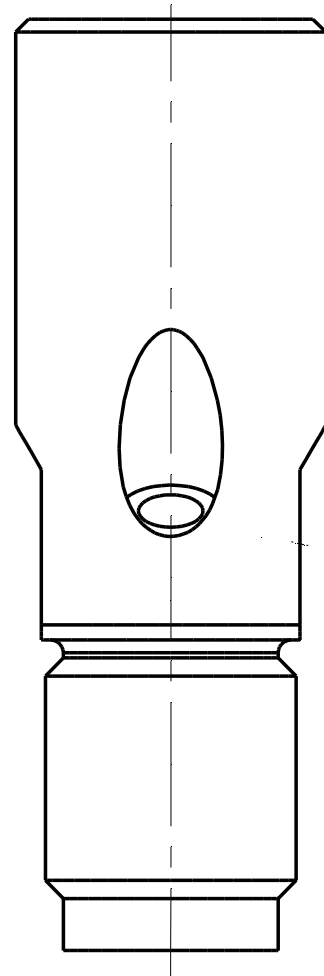
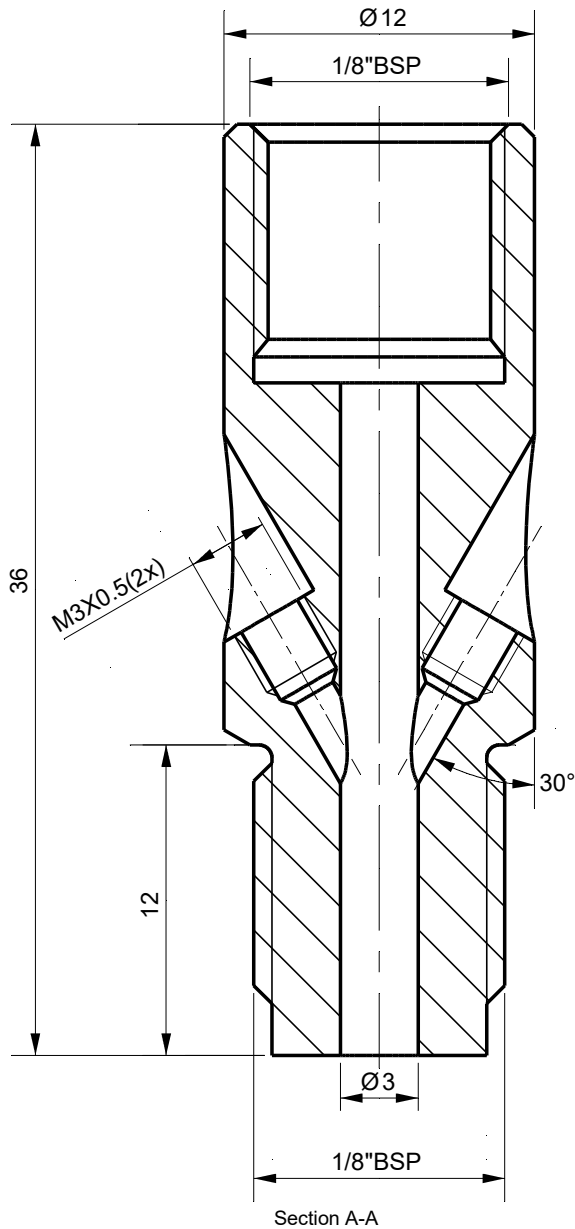
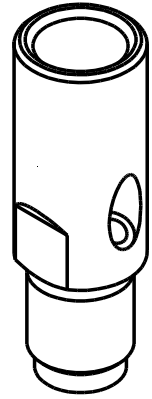
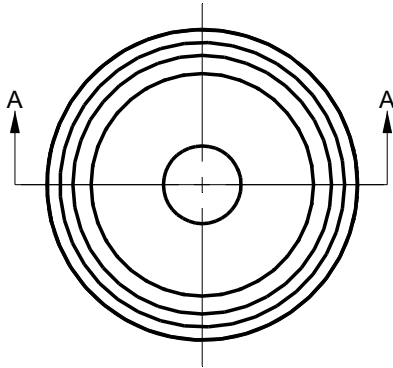
3

4

Rev.A

date

Description revision

**Tolerances**

Unless Otherwise Specified
ACC. DIN-ISO 2768 -1and 2
Angular +/- 0,3°
Corners <0,2x45° / R<0,2

Finish

-

Material

1.4122

Dimension (No Decimals)

0 t/m 6 6 t/m 30 30 t/m 120 120 t/m 400 400 t/m 1000

Tolerance

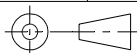
0,1 0,2 0,3 0,5 0,8

Name**Date**

22-11-2021

Remarks**Description**

Nozzle Driver Ø12

Drawn**Checked****Projection**

Drawing remains the property of
Salomon Jetting Parts B.V.

Unit

mm

Number**Project****Size**

A4

Drawing nr.

ND12-S

Rev

A

Scale

3.5:1

CAD File**Sheet**

1 of 1



Salomon Jetting Parts B.V.
Industriestraat 17
3291 CC Strijen
www.sjpbv.com
info@sjpbv.com
+31 (0) 88 126 1900