

1

2

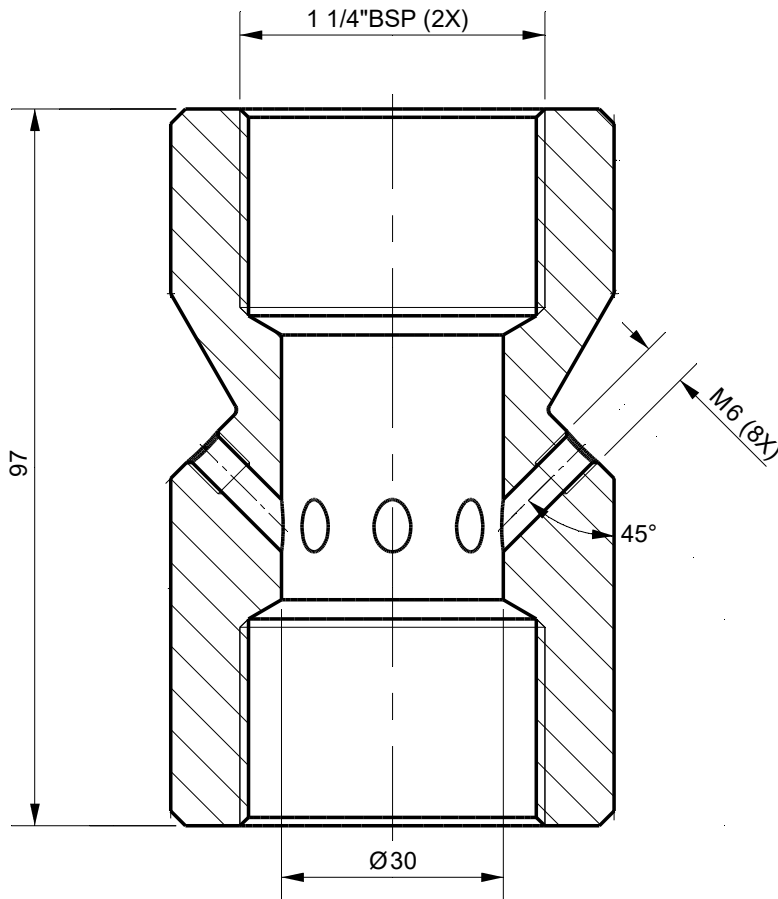
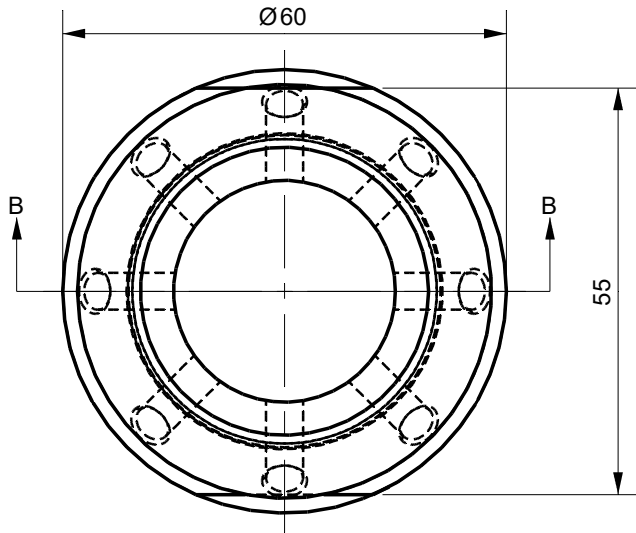
3

4

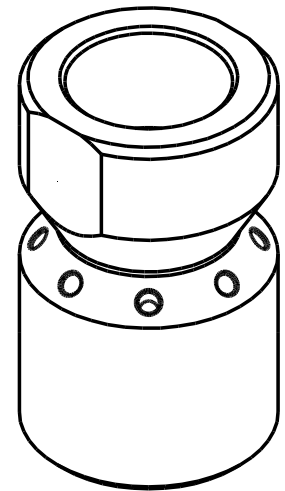
Rev.A

date

Description revision



Section B-B

**Tolerances**

Unless Otherwise Specified
ACC. DIN-ISO 2768 -1and 2
Angular +/- 0,3°
Corners <0,2x45° / R<0,2

Finish

-

Material

St.St. 304

Dimension (No Decimals)

0 t/m 6 6 t/m 30 30 t/m 120 120 t/m 400 400 t/m 1000

Tolerance

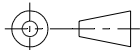
0,1 0,2 0,3 0,5 0,8

Name**Date**

20-10-2022

Remarks**Description**

Nozzle Driver 1 1/4"BSPFF

Checked**Projection**

Drawing remains the property of
Salomon Jetting Parts B.V.

Unit
mm

Number

Project

Salomon Jetting Parts B.V.
Industriestraat 17
3291 CC Strijen
www.sjpbv.com
info@sjpbv.com
+31 (0) 88 126 1900

Size
A4

Drawing nr.

ND60

Rev

A

Scale
1:1

CAD File

Sheet

1 of 1