

1

2

3

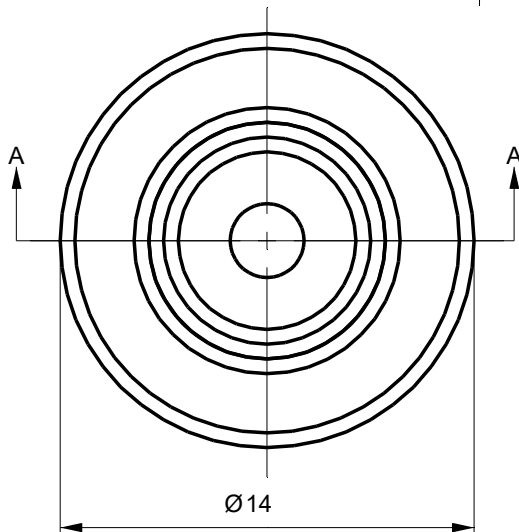
4

Rev.A

date

Description revision

A

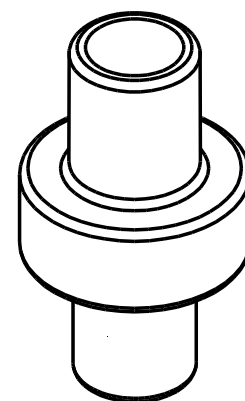
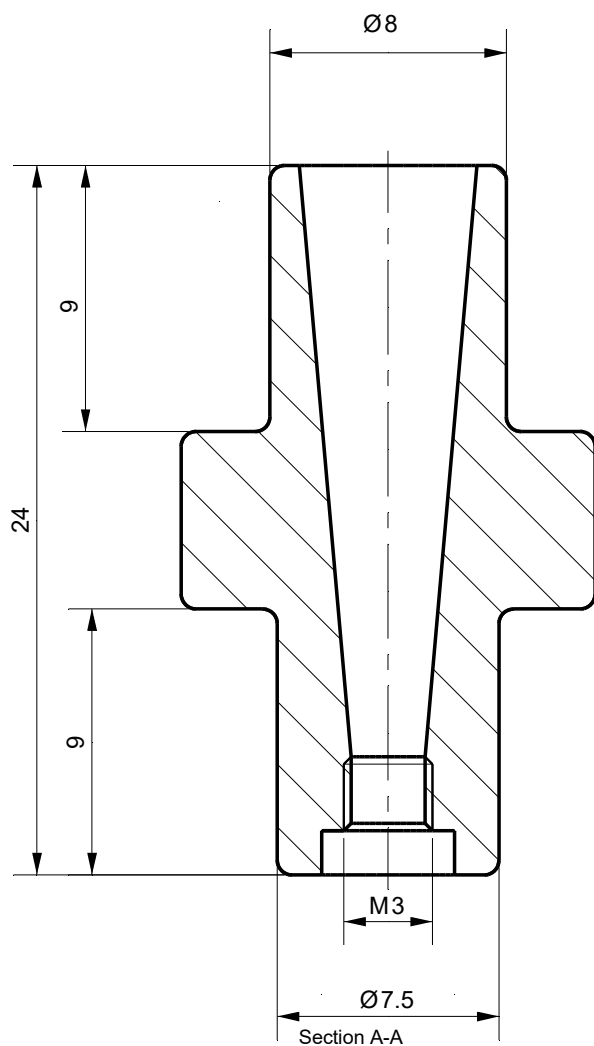


B

C

D

E

**Tolerances**

Unless Otherwise Specified
ACC. DIN-ISO 2768 -1and 2
Angular +/- 0,3°
Corners <0,2x45° / R<0,2

Finish

Vacuum Hardening max RC 49

Material**Dimension (No Decimals)**

0 t/m 6	6 t/m 30	30 t/m 120	120 t/m 400	400 t/m 1000
---------	----------	------------	-------------	--------------

Tolerance

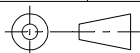
0,1	0,2	0,3	0,5	0,8
-----	-----	-----	-----	-----

Name**Date**

8-1-2022

Remarks**Description**

Round Jet Nozzle type 1 M3

Checked**Projection**

Drawing remains the property of Salomon Jetting Parts B.V.

Unit mm

Number

Project

F



Salomon Jetting Parts B.V.
Industriestraat 17
3291 CC Strijen
www.sjpbv.com
info@sjpbv.com
+31 (0) 88 126 1900

Size
A4

Drawing nr.

SJP01.M3

Rev

A

Scale

CAD File

Sheet

1 of 1