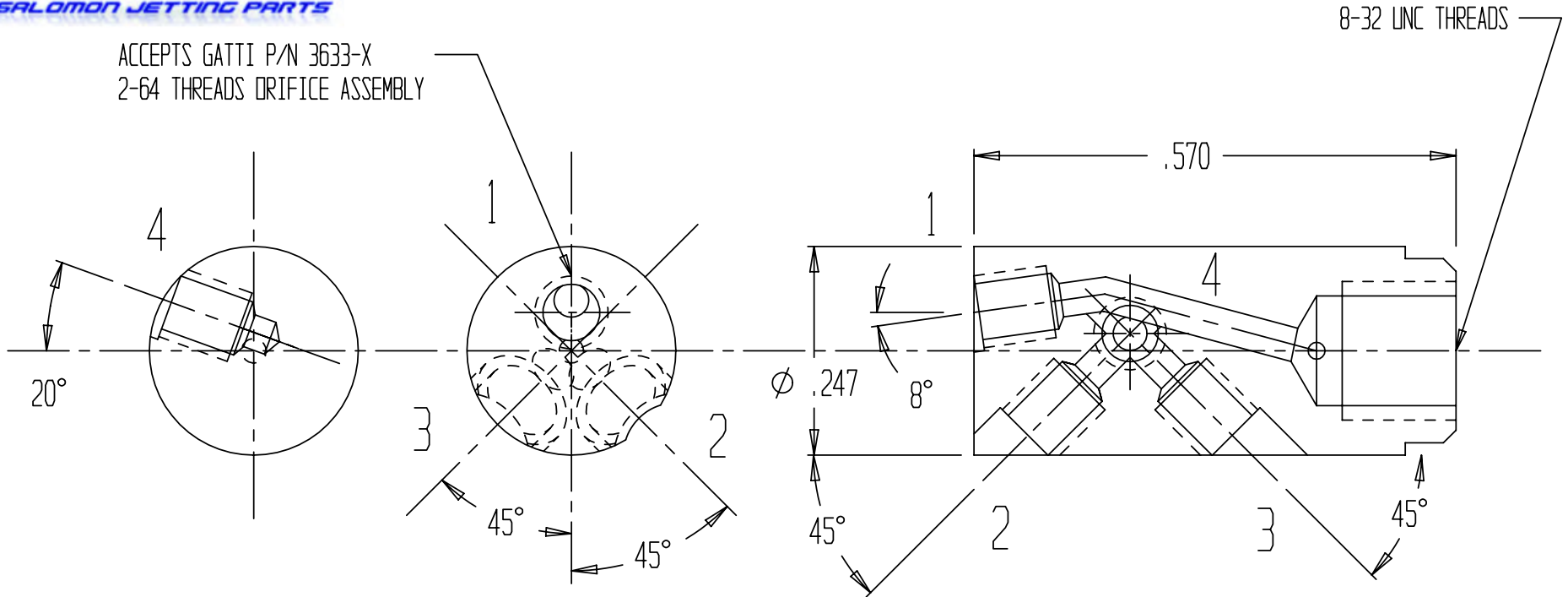




SALOMON JETTING PARTS

ACCEPTS GATTI P/N 3633-X
2-64 THREADS DRIFICE ASSEMBLY



CONFIDENTIAL

This drawing contains confidential and trade secret information, is the property of Aurele M. Gatti Inc., and is given to the receiver in confidence. The receiver by reception and retention of the drawing accepts the drawing in confidence and agrees that, except as authorized in writing by Aurele M. Gatti Inc., it will (1) not use the drawing or any copy thereof or the confidential or trade secret information therein; (2) not copy the drawing; (3) not disclose to others either the drawing or the confidential or trade secret information therein; and (4) upon completion of the need to retain the drawing, or upon demand, return the drawing, all copies thereof, and all material copied therefrom.

UNLESS OTHERWISE SPECIFIED:
 DIMENSIONS ARE IN INCHES TOLERANCES ON DIM SURFACE FINISH 63/
 2 PL DEC +/- .01 3PL DEC +/- .005 ANGLES +/- .5

AURELE M. GATTI, INC.
 TRENTON, NEW JERSEY

REV.	ECO - DATE	MATERIAL:	SCALE	DRAWN/DESIGN L HEWITT	DATE 10-2-07	CHECKED/TOOLING	APPROV
				NAME 2-64 MINI TUBE CLEANER		DWG. NO. SK-873	