

1

2

3

4

Rev.A date

Description revision

A

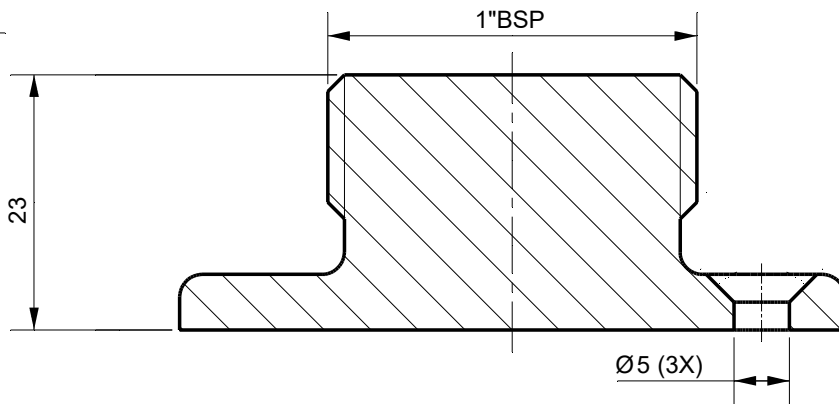
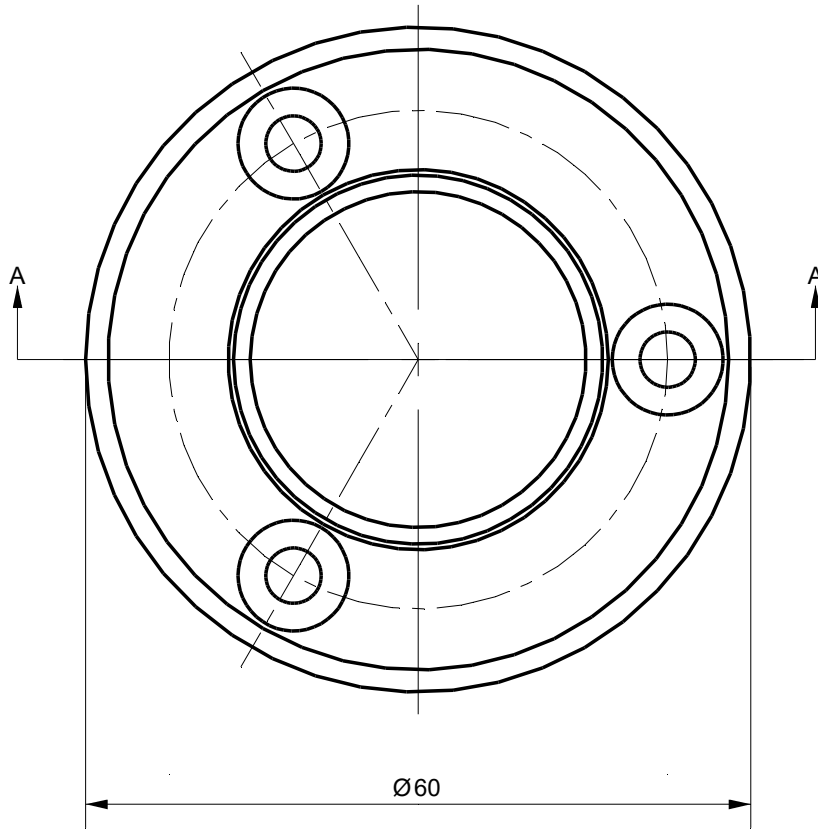
B

C

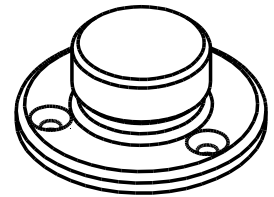
D

E

F



Section A-A

**Tolerances**

Unless Otherwise Specified
ACC. DIN-ISO 2768 -1and 2
Angular +/- 0,3°
Corners <0,2x45° / R<0,2

Finish

-

Material

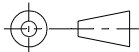
St.St. 304

Dimension (No Decimals)

0 t/m 6	6 t/m 30	30 t/m 120	120 t/m 400	400 t/m 1000
0,1	0,2	0,3	0,5	0,8

Tolerance**Name****Date****Remarks****Drawn**

16-1-2025

Checked**Projection**

Drawing remains the property of
Salomon Jetting Parts B.V.

Unit

mm

Number**Description**

Storage Adapter 1"BSP

Project

Salomon Jetting Parts B.V.
Reedijk 8-1
3274 KE Heinenoord
www.sjpbv.com
info@sjpbv.com
+31 (0) 88 126 1900

Size
A4

Drawing nr.**STA-01****Rev****A**

Scale
1.5:1

CAD File**Sheet****1 of 1**