

1

2

3

4

Rev.A

date

Description revision

A

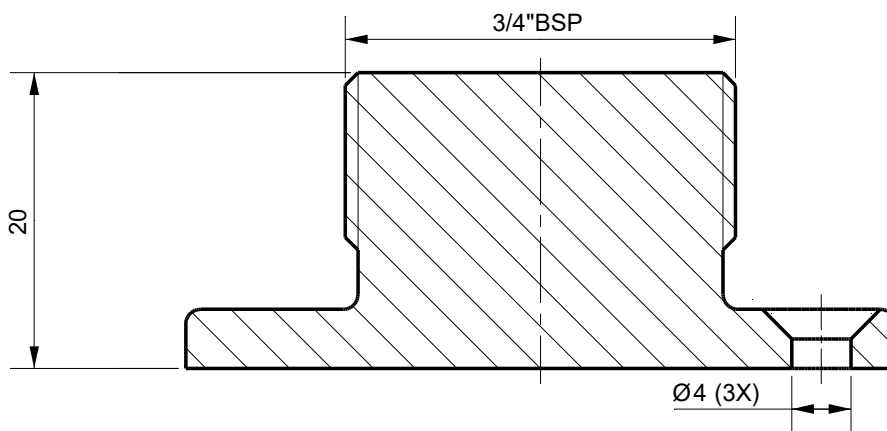
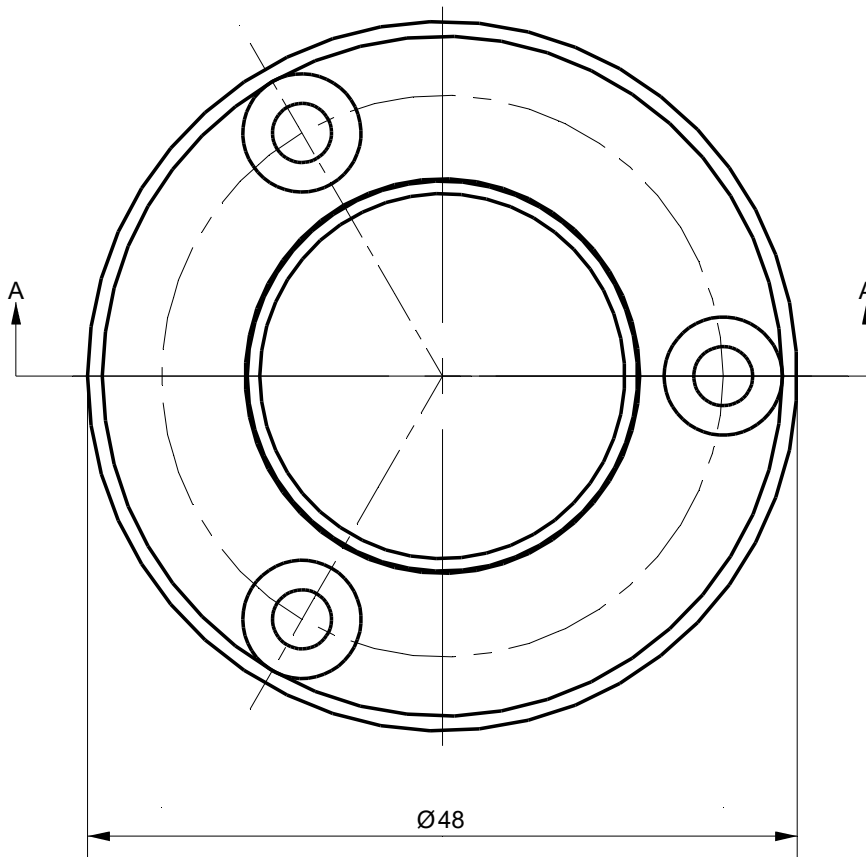
B

C

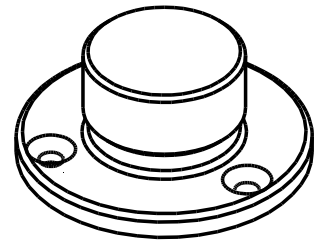
D

E

F



Section A-A

**Tolerances**

Unless Otherwise Specified  
ACC. DIN-ISO 2768 -1and 2  
Angular +/- 0,3°  
Corners <0,2x45° / R<0,2

**Finish**

-

**Material**

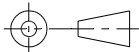
St.St. 304

**Dimension (No Decimals)**

| 0 t/m 6 | 6 t/m 30 | 30 t/m 120 | 120 t/m 400 | 400 t/m 1000 |
|---------|----------|------------|-------------|--------------|
| 0,1     | 0,2      | 0,3        | 0,5         | 0,8          |

**Tolerance****Description**

Storage Adapter 3/4" BSP

**Projection**

Drawing remains the property of  
Salomon Jetting Parts B.V.

Unit  
mm

Number

**Project**

Salomon Jetting Parts B.V.  
Reedijk 8-1  
3274 KE Heinenoord  
www.sjpbv.com  
info@sjpbv.com  
+31 (0) 88 126 1900

Size  
**A4**

Drawing nr.

**STA-34**

Rev

**A**Scale  
**2:1**

CAD File

Sheet

**1 of 1**