

1

2

3

4

Rev.A	date	Description revision

A

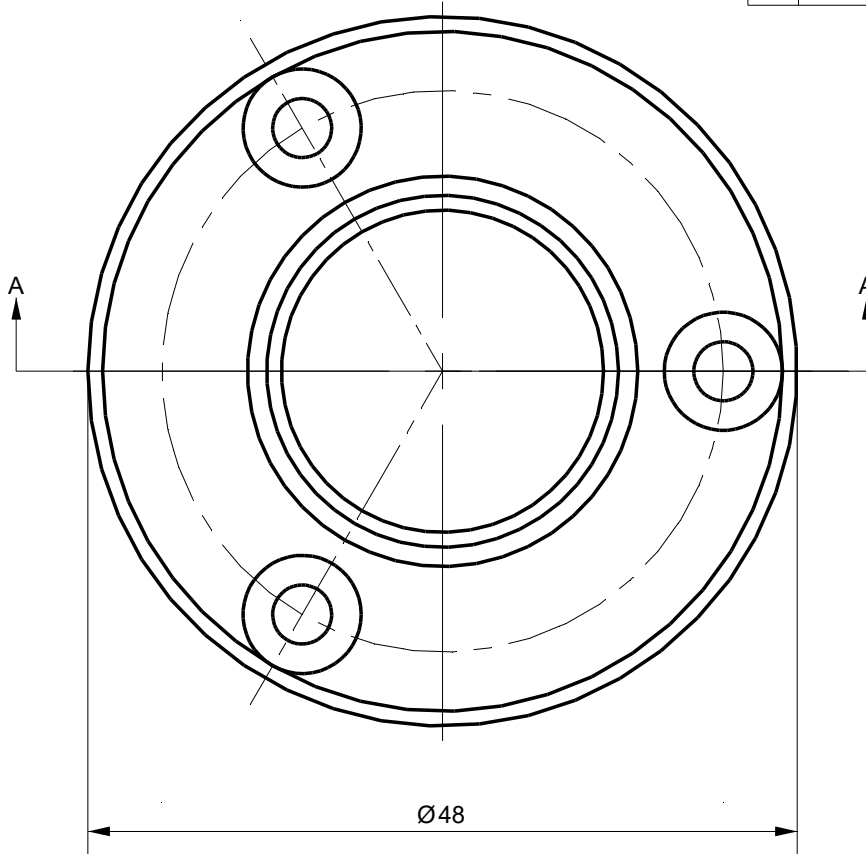
B

C

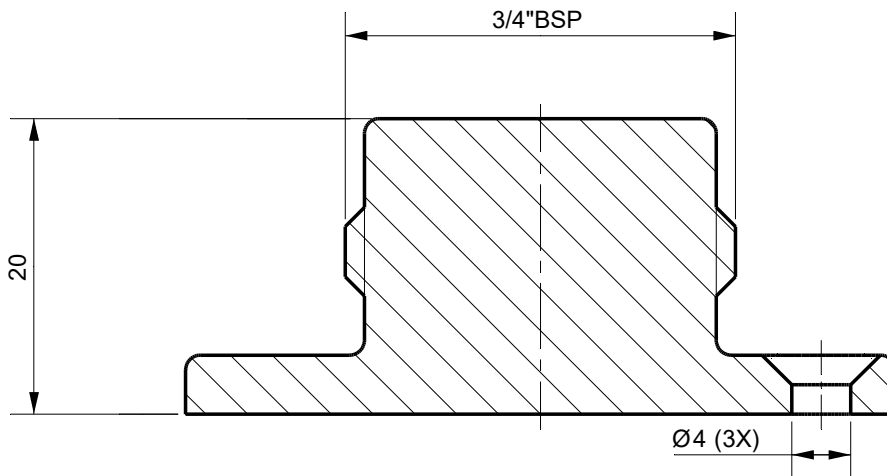
D

E

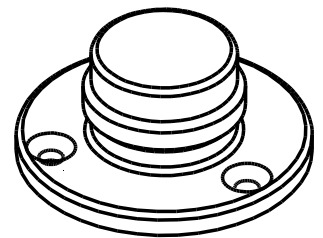
F



Ø48



Section A-A

**Tolerances**

Unless Otherwise Specified
ACC. DIN-ISO 2768 -1and 2
Angular +/- 0,3°
Corners <0,2x45° / R<0,2

Finish

Polishing

Material

St.St. 304

Dimension (No Decimals)	0 t/m 6	6 t/m 30	30 t/m 120	120 t/m 400	400 t/m 1000
Tolerance	0,1	0,2	0,3	0,5	0,8

Name

Date

Remarks

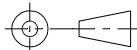
Description

Storage Adapter 3/4"BSP

Drawn

16-1-2025

Checked

ProjectionDrawing remains the property of
Salomon Jetting Parts B.V.Unit
mm

Number

Project

Salomon Jetting Parts B.V.
Reedijk 8-1
3274 KE Heinenoord
www.sjpbv.com
info@sjpbv.com
+31 (0) 88 126 1900

Size
A4

Drawing nr.

STA-34

Rev

BScale
2:1

CAD File

Sheet

1 of 1