

1

2

3

4

Rev.A date

Description revision

A

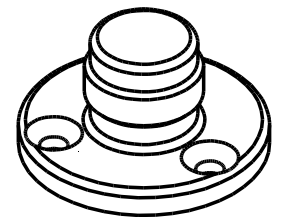
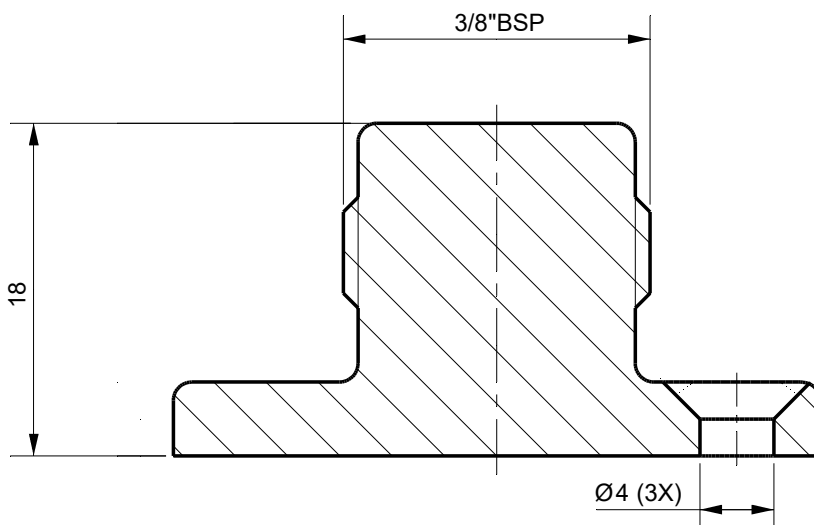
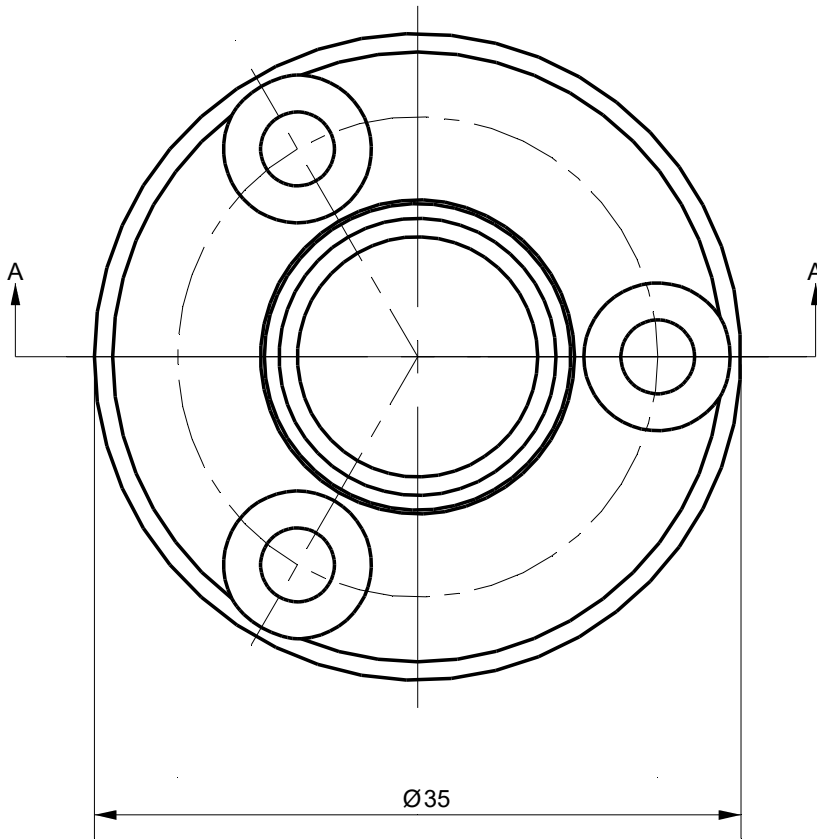
B

C

D

E

F



Section A-A

Tolerances

Unless Otherwise Specified
ACC. DIN-ISO 2768 -1and 2
Angular $\pm 0,3^\circ$
Corners $<0,2 \times 45^\circ / R < 0,2$

Finish

Polishing

Material

St.St. 304

Dimension (No Decimals)

0 t/m 6	6 t/m 30	30 t/m 120	120 t/m 400	400 t/m 1000
0,1	0,2	0,3	0,5	0,8

Tolerance

Name

Date

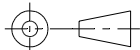
16-1-2025

Remarks

Description

Storage Adapter 3/8"BSP

Projection



Drawing remains the property of
Salomon Jetting Parts B.V.

Unit
mm

Number

Project



Salomon Jetting Parts B.V.
Reedijk 8-1
3274 KE Heinenoord
www.sjpbv.com
info@sjpbv.com
+31 (0) 88 126 1900

Size
A4

Drawing nr.

STA-38

Rev

AScale
2.5:1

CAD File

Sheet

1 of 1