

1

2

3

4

Rev.A date

Description revision

A

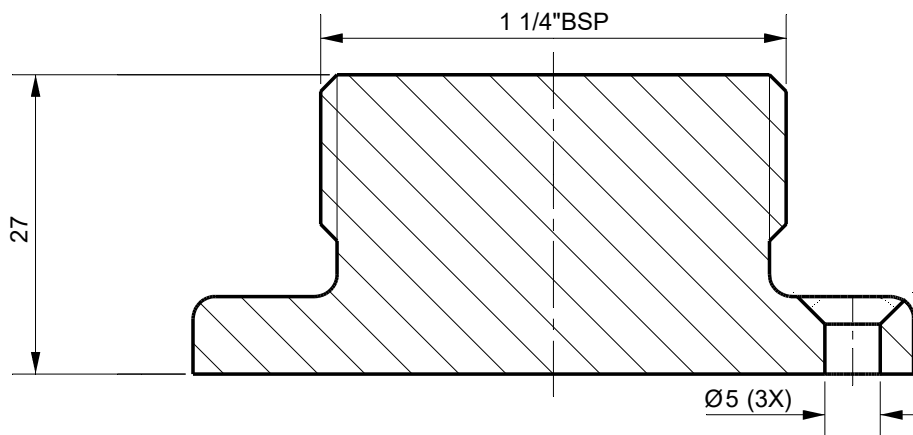
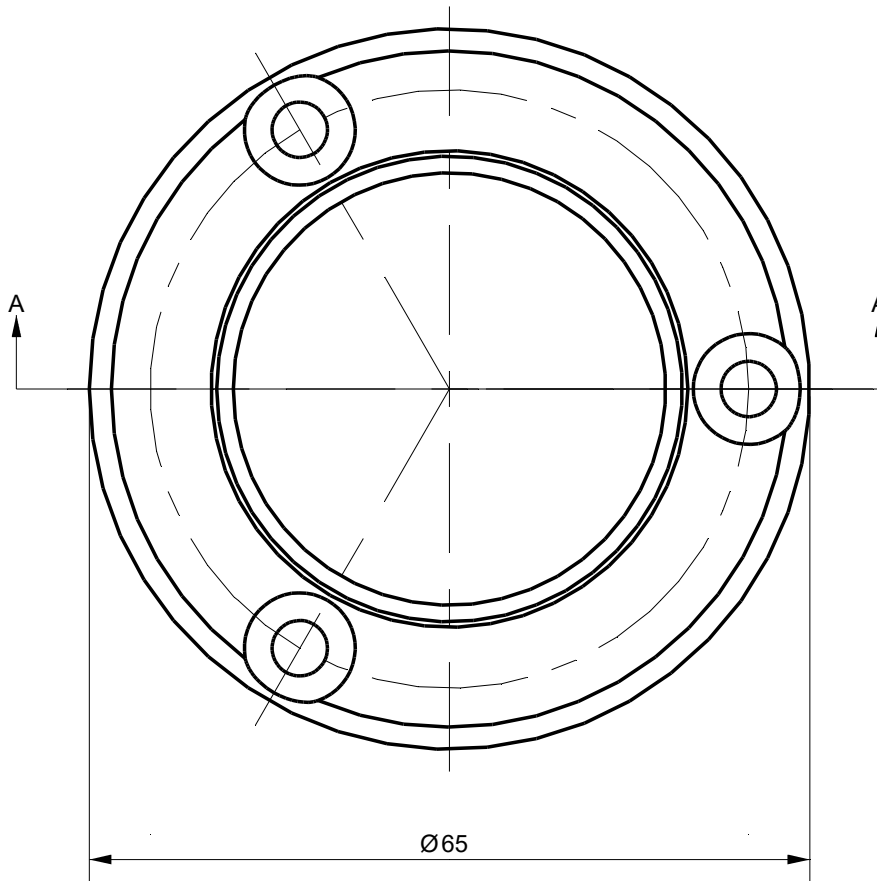
B

C

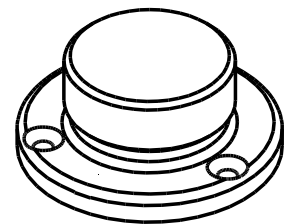
D

E

F



Section A-A

**Tolerances**

Unless Otherwise Specified  
ACC. DIN-ISO 2768 -1 and 2  
Angular +/- 0,3°  
Corners <math>0,2 \times 45^\circ / R < 0,2</math>

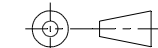
**Finish**

-

**Material**

St.St.304

Dimension (No Decimals)	0 t/m 6	6 t/m 30	30 t/m 120	120 t/m 400	400 t/m 1000
<b>Tolerance</b>	0,1	0,2	0,3	0,5	0,8

**Projection****Name**

-

**Date**

16-1-2025

**Remarks**

Drawing remains the property of  
Salomon Jetting Parts B.V.

**Unit**

mm

**Number**

-

**Description**

Storage Adapter 1 1/4" BSP

**Project****Size**

A4

**Scale**

1.5:1

**Drawing nr.**

STA-54

**CAD File**

-

**Rev**

A

**Sheet**

1 of 1



Salomon Jetting Parts B.V.

Reedijk 8-1

3274 KE Heinenoord

www.sjpbv.com

info@sjpbv.com

+31 (0) 88 126 1900