

1

2

3

4

Rev.A	date	Description revision

A

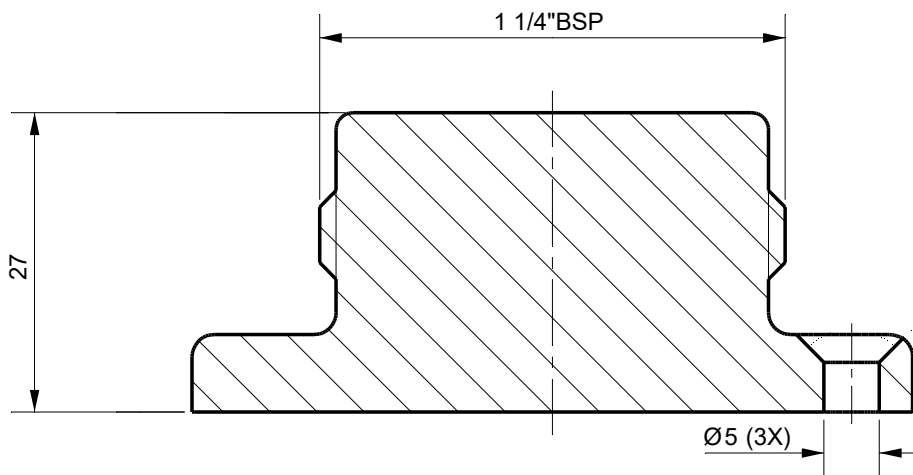
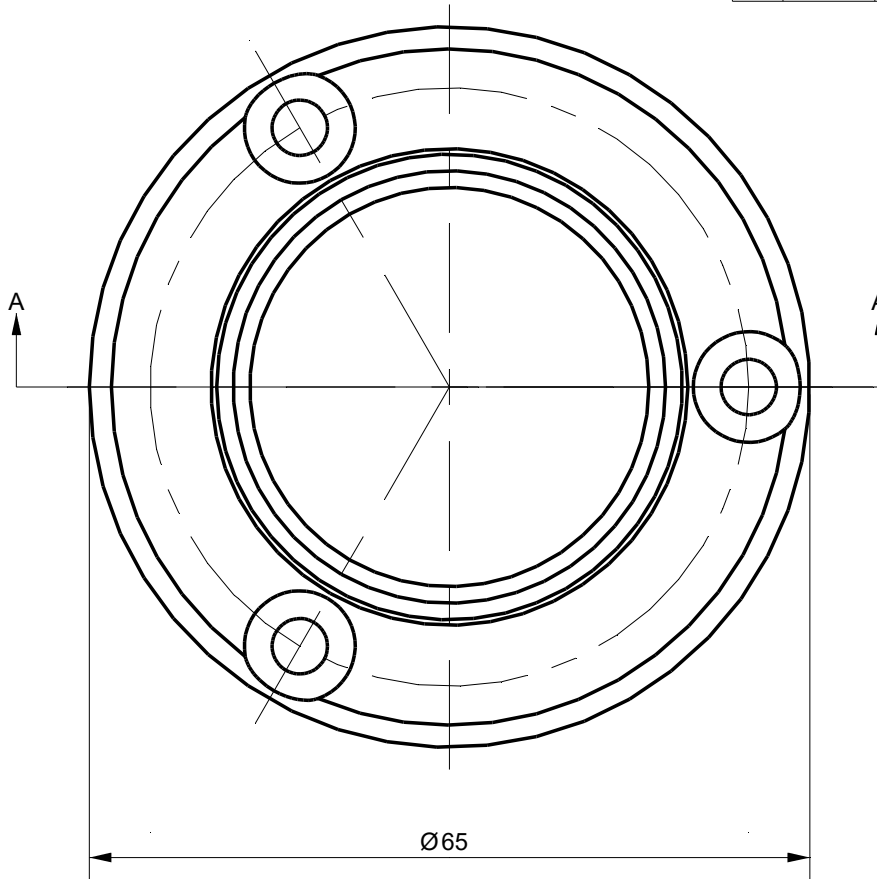
B

C

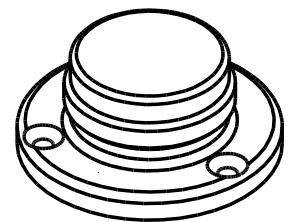
D

E

F



Section A-A

**Tolerances**

Unless Otherwise Specified
ACC. DIN-ISO 2768 -1and 2
Angular +/- 0,3°
Corners <math>0,2 \times 45^\circ / R<0,2</math>

Finish

Polishing

Material

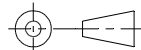
St.St.304

Dimension (No Decimals)	0 t/m 6	6 t/m 30	30 t/m 120	120 t/m 400	400 t/m 1000
Tolerance	0,1	0,2	0,3	0,5	0,8

Name	Date	Remarks
Drawn	16-1-2025	
Checked		

Description

Storage Adapter 1 1/4"BSP

Projection

Drawing remains the property of
Salomon Jetting Parts B.V.

Unit
mm

Number

Project

Salomon Jetting Parts B.V.
Reedijk 8-1
3274 KE Heinenoord
www.sjpbv.com
info@sjpbv.com
+31 (0) 88 126 1900

Size
A4

Drawing nr.**STA-54****Rev****B**

Scale
1.5:1

CAD File**Sheet****1 of 1**