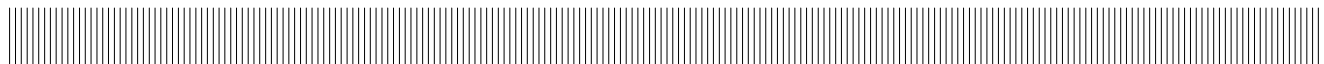
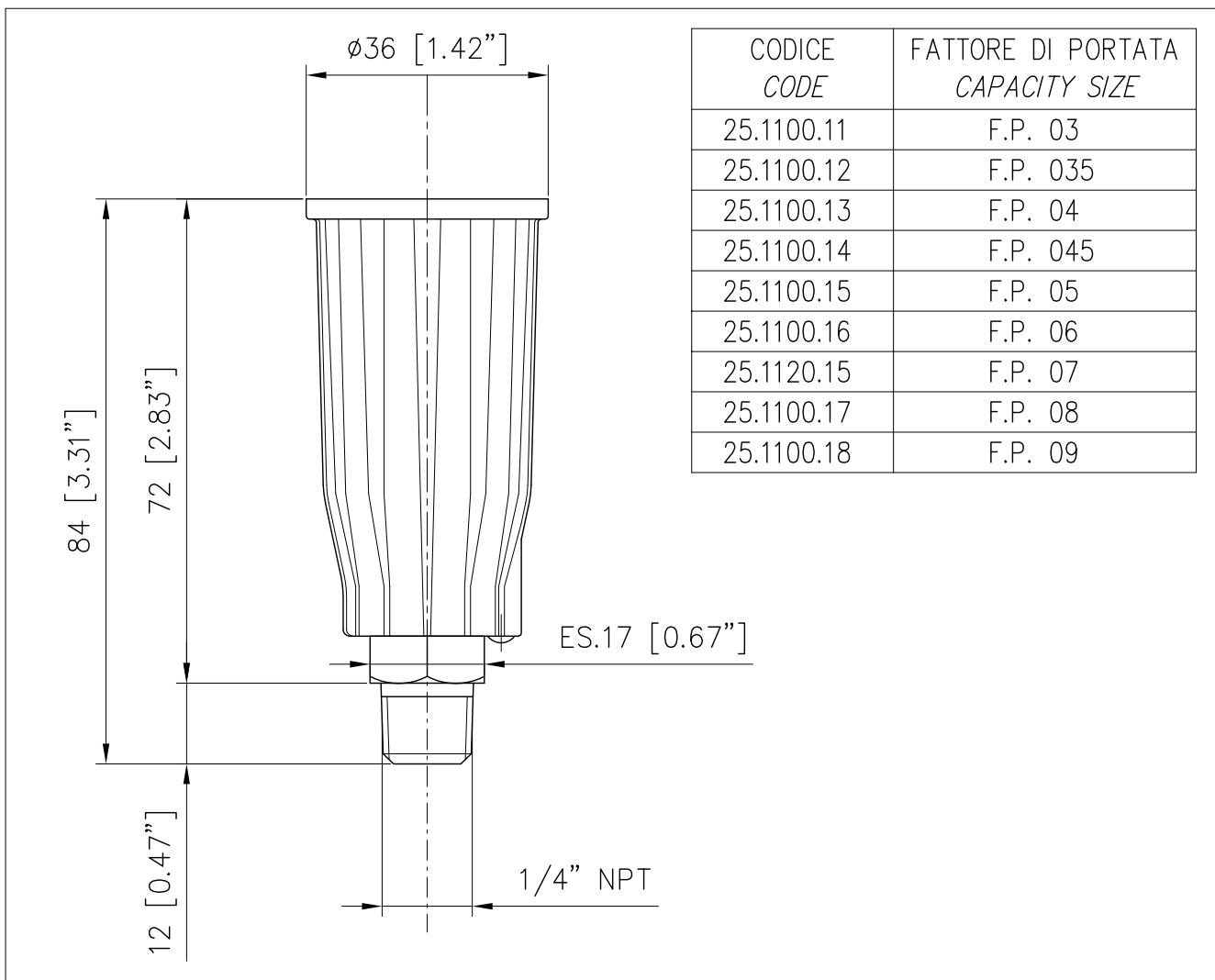
	EQUIPAGGIAMENTI TECNICI LAVAGGIO	UGELLO ROTANTE ROTATING NOZZLE UR1	①	<div style="border: 2px solid black; padding: 2px; display: inline-block;">4</div>
			Ⓜ	



SPECIFICHE TECNICHE
SPECIFICATIONS

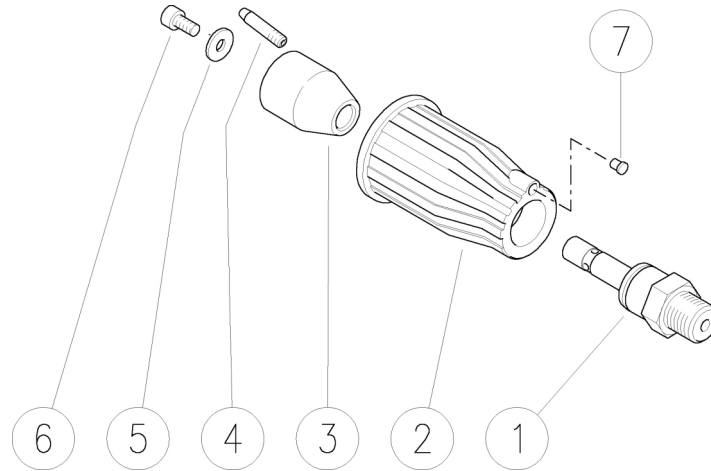
- PRESSIONE NOMINALE RATED PRESSURE	350 bar – 35 MPa (5100 psi)
- PRESSIONE CONSENTITA PERMISSIBLE PRESSURE	390 bar – 39 MPa (5650 psi)
- PORTATA MASSIMA MAX FLOW RATE	30 l/min (8 USG p.m.)
- TEMPERATURA MASSIMA MAX WORKING TEMPERATURE	80° C (175 °F)
- MATERIALI MATERIALS	PERNO IN ACCIAIO INOX CON TRATTAMENTO ANTIUSURA CON CORPO IN OTTONE CON PROTEZIONE IN MATERIALE PLASTICO ANTIURTO. ANTI-WEAR-TREATED STAINLESS STEEL PIN AND BRASS BODY WITH SHOCKPROOF PLASTIC PROTECTION.

MISURE D'INGOMBRO
OVERALL DIMENSIONS



25.1100.11 UR1-03 Ug.rot. 1/4M Npt,bianco
 25.1100.12 UR1-035 Ug.rot. 1/4M Npt,marr.
 25.1100.13 UR1-04 Ug.rot. 1/4M Npt,giallo sc.
 25.1100.14 UR1-045 Ug.rot. 1/4M Npt,blu

25.1100.15 UR1-05 Ug.rot. 1/4M Npt,viola ch.
 25.1100.16 UR1-06 Ug.rot. 1/4M Npt,ver.sc.
 25.1100.17 UR1-08 Ug.rot. 1/4M Npt,arg.
 25.1100.18 UR1-09 Ug.rot. 1/4M Npt,oro

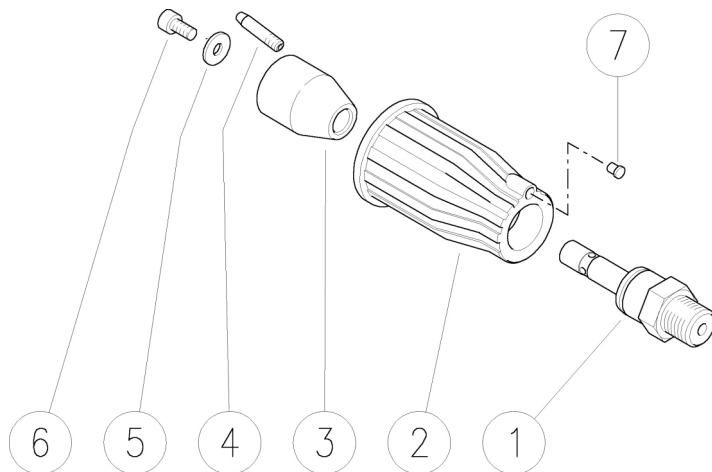


Pos.	Codice	Descrizione	Q.tà	K1	K2	K3	K4	📦	Pos.	Codice	Descrizione	Q.tà	K1	K2	K3	K4	📦
1	25.1103.51	Perno 1/4 F Npt inox	1					3	4	25.1108.51	Ugello 05 - M4 inox (6)	1					2
2	25.1102.84	Manopola ugello nera	1					3	4	25.1109.51	Ugello 07 - M4 inox (7)	1					2
3	25.1101.31	Corpo rotante M4F	1					3	4	25.1104.51	Ugello 04 - M4 inox (1)	2					2
3	25.1111.31	Corpo rotante 2x M4F (1)	1					1	4	25.1107.51	Ugello 045 - M4 inox (8)	2					5
4	25.1105.51	Ugello 03 - M4 inox (2)	1					5	5	60.0164.33	Rosetta 4,1x10,8x1mm ott.	1					10
4	25.1106.51	Ugello 035 - M4 inox (3)	1					5	6	16.1830.00	Vite DIN912 M4x8 mm inox	1					10
4	25.1104.51	Ugello 04 - M4 inox (4)	1					2	7	15.2000.30	Chiodo 03 bianco (2)	1					10
4	25.1107.51	Ugello 045 - M4 inox (5)	1					5	7	15.2000.40	Chiodo 04 giallo scuro (4)	1					10

(1) 25.1100.17 (2) 25.1100.11 (3) 25.1100.12 (4) 25.1100.13 (5) 25.1100.14 (6) 25.1100.15 (7) 25.1100.16 (8) 25.1100.18

25.1100.11 UR1-03 Nzl,rot.1/4M Npt,white
 25.1100.12 UR1-035 Nzl,rot.1/4M Npt,brown
 25.1100.13 UR1-04 Nzl,rot.1/4M Npt,d.yell
 25.1100.14 UR1-045 Nzl,rot.1/4M Npt,blue

25.1100.15 UR1-05 Nzl,rot.1/4M Npt,l. purple
 25.1100.16 UR1-06 Nzl,rot.1/4M Npt,d. green
 25.1100.17 UR1-08 Nzl,rot.1/4M Npt,silver
 25.1100.18 UR1-09 Nzl,rot.1/4M Npt,gold



Pos.	P/N	Description	Q.ty	K1	K2	K3	K4		Pos.	P/N	Description	Q.ty	K1	K2	K3	K4	
1	25.1103.51	Pin, 1/4F Npt Sst.	1					3	4	25.1108.51	Nozzle, 05 - M4 Sst. (6)	1					2
2	25.1102.84	Nozzle knob, black	1					3	4	25.1109.51	Nozzle, 07 - M4 Sst. (7)	1					2
3	25.1101.31	Rotating body, M4F	1					3	4	25.1104.51	Nozzle, 04 - M4 Sst. (1)	2					2
3	25.1111.31	Rotating body, 2x M4F (1)	1					1	4	25.1107.51	Nozzle, 045 - M4 Sst. (8)	2					5
4	25.1105.51	Nozzle, 03 - M4 Sst. (2)	1					5	5	60.0164.33	Washer, 4,1x10,8x1mm brass	1					10
4	25.1106.51	Nozzle, 035 - M4 Sst. (3)	1					5	6	16.1830.00	Screw, DIN912 M4x8 mm Sst.	1					10
4	25.1104.51	Nozzle, 04 - M4 Sst. (4)	1					2	7	15.2000.30	Stud, 03 white (2)	1					10
4	25.1107.51	Nozzle, 045 - M4 Sst. (5)	1					5	7	15.2000.40	Stud, 04 dark yellow (4)	1					10

(1) 25.1100.17 (2) 25.1100.11 (3) 25.1100.12 (4) 25.1100.13 (5) 25.1100.14 (6) 25.1100.15 (7) 25.1100.16 (8) 25.1100.18