

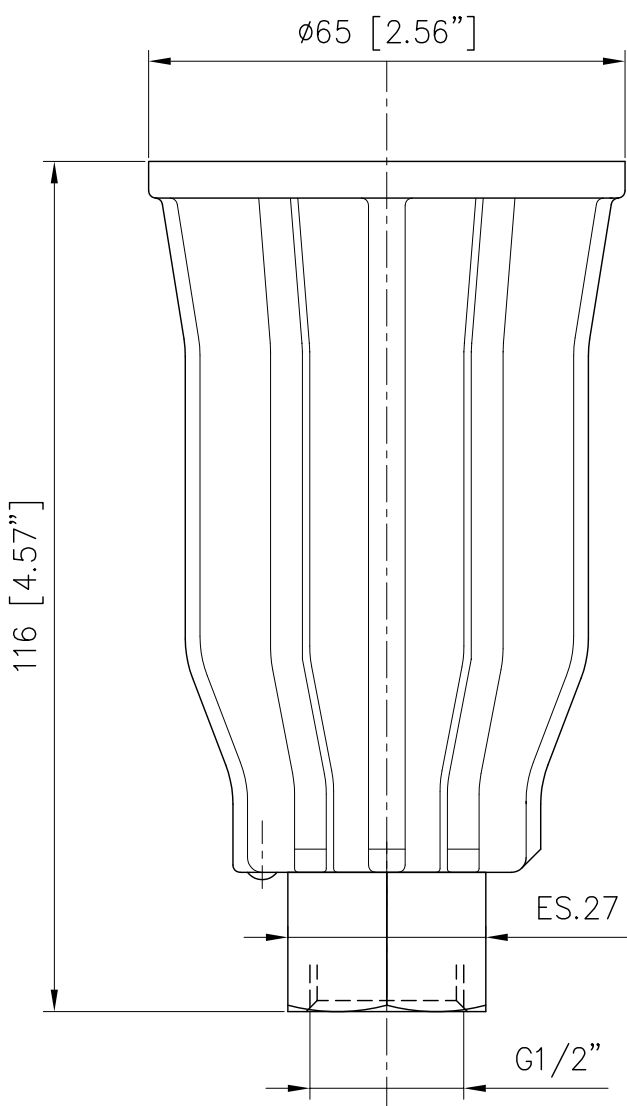
| | | | | |
|---|--|---|---|--|
|  | EQUIPAGGIAMENTI TECNICI LAVAGGIO | UGELLO ROTANTE 500bar ROTATING NOZZLE 500bar UR3 | Ⓛ | <div style="border: 2px solid black; padding: 2px; display: inline-block;">4</div> |
| | | | Ⓜ | |



SPECIFICHE TECNICHE
SPECIFICATIONS

| | |
|--|--|
| - PRESSIONE NOMINALE RATED PRESSURE | 500 bar – 50 MPa (7250 psi) |
| - PRESSIONE CONSENTITA PERMISSIBLE PRESSURE | 560 bar – 56 MPa (8100 psi) |
| - TEMPERATURA MASSIMA MAX WORKING TEMPERATURE | 80° C (175 °F) |
| - MATERIALI MATERIALS | PERNO IN ACCIAIO INOX CON TRATTAMENTO ANTIUSURA CON CORPO IN OTTONE CON PROTEZIONE IN MATERIALE PLASTICO ANTIURTO. ANTI-WEAR-TREATED STAINLESS STEEL PIN AND BRASS BODY WITH SHOCKPROOF PLASTIC PROTECTION. |

MISURE D'INGOMBRO
OVERALL DIMENSIONS

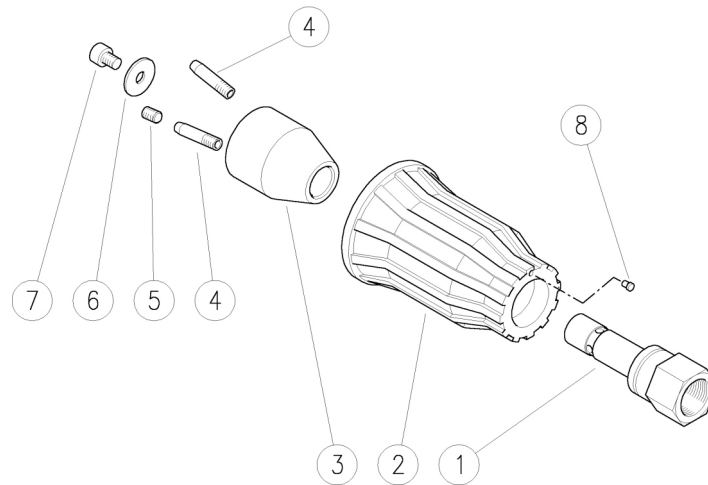


$\phi 65 [2.56"]$
116 [4.57"]
ES.27 [1.06"]
G1/2"

| CODICE CODE | FATTORE DI PORTATA CAPACITY SIZE | N. UGELLI N. NOZZLES |
|----------------|-------------------------------------|-------------------------|
| 25.1148.11 | F.P. 03 | 1 |
| 25.1148.12 | F.P. 035 | 1 |
| 25.1148.13 | F.P. 04 | 1 |
| 25.1148.14 | F.P. 045 | 1 |
| 25.1148.16 | F.P. 055 | 1 |
| 25.1148.17 | F.P. 06 | 1 |
| 25.1150.10 | F.P. 05 | 2 |
| 25.1150.11 | F.P. 06 | 2 |
| 25.1150.12 | F.P. 07 | 2 |
| 25.1150.13 | F.P. 08 | 2 |
| 25.1150.15 | F.P. 10 | 2 |
| 25.1150.17 | F.P. 12 | 2 |

25.1148.17 UR3-06 Ug.rot.500bar,1 ug.,ver.sc.
 25.1150.11 UR3-06 Ug.rot.500bar,2 ug.,ver.sc.
 25.1150.12 UR3-07 Ug.rot.500bar,2 ug.,aran.

25.1150.13 UR3-08 Ug.rot.500bar,2 ug.,arg.
 25.1150.14 UR3-09 Ug.rot.500bar,2 ug.,oro

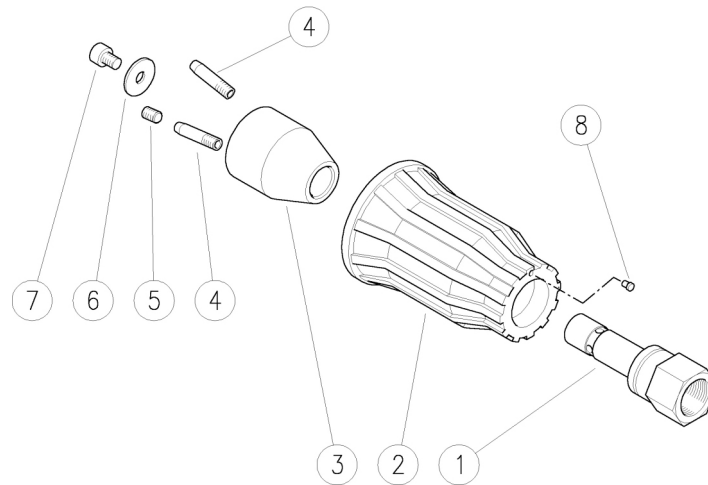


| Pos. | Codice | Descrizione | Q.tà | K1 | K2 | K3 | K4 | | Pos. | Codice | Descrizione | Q.tà | K1 | K2 | K3 | K4 | |
|------|------------|--------------------------|------|----|----|----|----|---|------|------------|---------------------------|------|----|----|----|----|----|
| 1 | 25.1152.51 | Perno G1/2 F inox | 1 | | | | | 3 | 4 | 25.1159.51 | Ugello 05 - M6 inox | 1-2 | | | | | 3 |
| 2 | 25.1154.84 | Manopola ugello nera | 1 | | | | | 3 | 4 | 25.1160.51 | Ugello 055 - M6 inox | 1-2 | | | | | 3 |
| 3 | 25.1151.31 | Corpo rotante 2x M6x1F | 1 | | | | | 3 | 4 | 25.1161.51 | Ugello 06 - M6 inox (5) | 1-2 | | | | | 3 |
| 4 | 25.1155.51 | Ugello 03 - M6 inox (1) | 2 | | | | | 3 | 5 | 16.2220.00 | Grano DIN913 M6x8 mm inox | 1 | | | | | 10 |
| 4 | 25.1156.51 | Ugello 035 - M6 inox (2) | 2 | | | | | 3 | 6 | 25.1153.31 | Rosetta 6x20x1,5 mm ott. | 1 | | | | | 5 |
| 4 | 25.1157.51 | Ugello 04 - M6 inox (3) | 2 | | | | | 3 | 7 | 16.1832.00 | Vite ISO7380 M6x8 mm inox | 1 | | | | | 10 |
| 4 | 25.1158.51 | Ugello 045 - M6 inox (4) | 2 | | | | | 3 | 8 | 15.2000.70 | Chiodo 07 arancio (1) | 1 | | | | | 10 |

(1) 25.1150.11 (2) 25.1150.12 (3) 25.1150.13 (4) 25.1150.14 (5) 25.1148.17

25.1148.17 UR3-06 Nzl,rot.500bar,1 nzl.,d.green
 25.1150.11 UR3-06 Nzl,rot.500bar,2 nzl.,d.grn
 25.1150.12 UR3-07 Nzl,rot.500bar,2 nzl.,orange

25.1150.13 UR3-08 Nzl,rot.500bar,2 nzl.,silver
 25.1150.14 UR3-09 Rot.nzl,500bar,2 nzl.,gold



| Pos. | P/N | Description | Q.ty | K1 | K2 | K3 | K4 | | Pos. | P/N | Description | Q.ty | K1 | K2 | K3 | K4 | |
|------|------------|---------------------------|------|----|----|----|----|---|------|------------|--------------------------------|------|----|----|----|----|----|
| 1 | 25.1152.51 | Pin, 1/2F Bsp Sst. | 1 | | | | | 3 | 4 | 25.1159.51 | Nozzle, 05 - M6 Sst. | 1-2 | | | | | 3 |
| 2 | 25.1154.84 | Nozzle knob, black | 1 | | | | | 3 | 4 | 25.1160.51 | Nozzle, 055 - M6 Sst. | 1-2 | | | | | 3 |
| 3 | 25.1151.31 | Rotating body, 2x M6x1F | 1 | | | | | 3 | 4 | 25.1161.51 | Nozzle, 06 - M6 Sst. (5) | 1-2 | | | | | 3 |
| 4 | 25.1155.51 | Nozzle, 03 - M6 Sst. (1) | 2 | | | | | 3 | 5 | 16.2220.00 | Set screw, DIN913 M6x8 mm Sst. | 1 | | | | | 10 |
| 4 | 25.1156.51 | Nozzle, 035 - M6 Sst. (2) | 2 | | | | | 3 | 6 | 25.1153.31 | Washer, 6x20x1,5 mm brass | 1 | | | | | 5 |
| 4 | 25.1157.51 | Nozzle, 04 - M6 Sst. (3) | 2 | | | | | 3 | 7 | 16.1832.00 | Screw, ISO7380 M6x8 mm Sst. | 1 | | | | | 10 |
| 4 | 25.1158.51 | Nozzle, 045 - M6 Sst. (4) | 2 | | | | | 3 | 8 | 15.2000.70 | Stud, 07 orange (1) | 1 | | | | | 10 |

(1) 25.1150.11 (2) 25.1150.12 (3) 25.1150.13 (4) 25.1150.14 (5) 25.1148.17