

PATENT PENDING

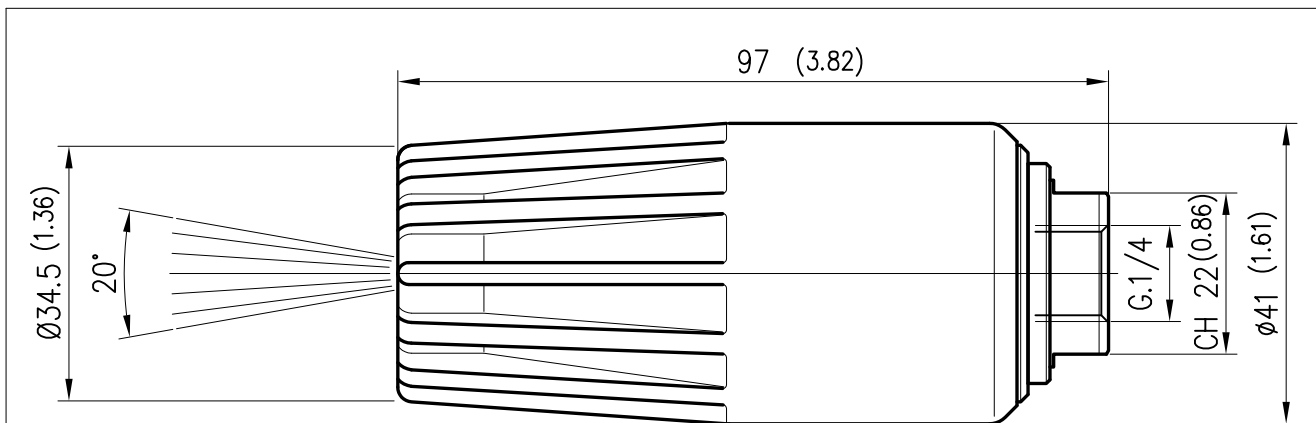


- ROBUSTA COSTRUZIONE IN OTTONE
STRONG BRASS STRUCTURE
- SEDE E UGELLO IN CERAMICA AD ALTISSIMA RESISTENZA
HIGHLY SHOCK-RESISTANT CERAMIC SEAT AND NOZZLE
- ALTO ASSORBIMENTO DEGLI URTI ACCIDENTALI GRAZIE ALLA PROTEZIONE IN PLASTICA 'ROSSA'
HIGH ABSORPTION OF ACCIDENTAL KNOCKS THANKS TO THE 'RED' PLASTIC PROTECTION
- UTILIZZABILE IN OGNI POSIZIONE GRAZIE AL SISTEMA CON MOLLA INTERNA CHE ELIMINA I GIOCHI TRA SEDE E UGELLO.
CAN BE USED IN ANY POSITION THANKS TO THE SYSTEM EQUIPPED WITH INTERNAL SPRING ELIMINATING THE CLEARANCE BETWEEN SEAT AND NOZZLE.

SPECIFICHE TECNICHE - SPECIFICATIONS

- PRESSIONE NOMINALE <i>RATED PRESSURE</i>	350 bar - 35 MPa (5100 psi)
- PRESSIONE MINIMA DI UTILIZZO <i>MIN. OPERATING PRESSURE</i>	180 bar - 18 MPa (2600 psi)
- PORTATA MINIMA <i>MIN. FLOW</i>	9.1 L/min (2.4 USGp.m.) 180 bar - 18 MPa (2600 psi) ugello (nozzle) 03
- PORTATA MASSIMA <i>MAX FLOW</i>	34 L/min (9 USGp.m.) 350 bar - 35 MPa (5100 psi) ugello (nozzle) 08
- TEMPERATURA MINIMA <i>MIN. WORKING TEMPERATURE</i>	5° C (41°F)
- TEMPERATURA MASSIMA <i>MAX WORKING TEMPERATURE</i>	100° C (212 °F)
- PESO <i>WEIGHT</i>	0.41 Kg (14.46 oz)

MISURE D'INGOMBRO - OVERALL DIMENSIONS

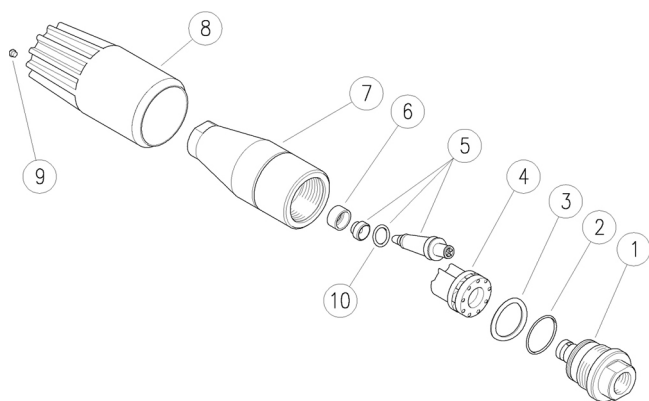


CODICE <i>CODE</i>	FATTORE DI PORTATA <i>CAPACITY SIZE</i>
25.1690.30	03
25.1690.35	035
25.1690.40	04
25.1690.45	045
25.1690.50	05

CODICE <i>CODE</i>	FATTORE DI PORTATA <i>CAPACITY SIZE</i>
25.1690.55	055
25.1690.60	06
25.1690.65	065
25.1690.70	07
25.1690.80	08

25.1690.30 UR32-03 Ug.rot.350bar, bianco
 25.1690.35 UR32-035 Ug.rot.350bar, marr.
 25.1690.40 UR32-04 Ug.rot.350bar, giallo sc.
 25.1690.45 UR32-045 Ug.rot.350bar,, blu
 25.1690.50 UR32-05 Ug.rot.350bar, viola ch.

25.1690.55 UR32-055 Ug.rot.350bar, rosso sc.
 25.1690.60 UR32-06 Ug.rot.350bar, ver.sc.
 25.1690.65 UR32-065 Ug.rot.350bar, cel.
 25.1690.70 UR32-07 Ug.rot.350bar, arancio
 25.1690.80 UR32-08 Ug.rot.350bar, argento

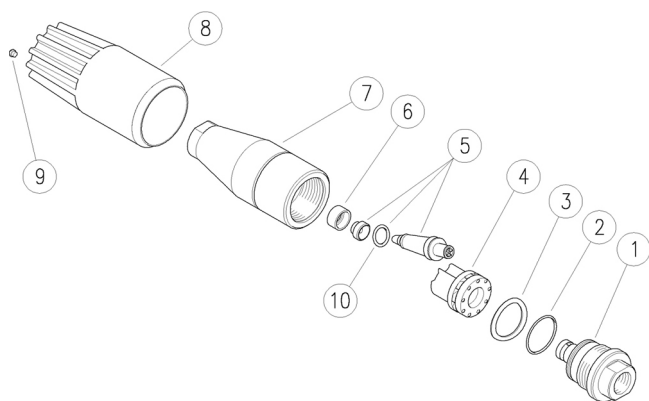



Pos.	Codice	Descrizione	Q.tà	K1	K2	K3	K4	
1	25.1634.31	Raccordo G1/4F (1)	1					3
1	25.1645.31	Raccordo G1/4F (2)	1					3
1	25.1636.31	Raccordo G1/4F (3)	1					3
1	25.1646.31	Raccordo G1/4F (4)	1					3
1	25.1647.31	Raccordo G1/4F (5)	1					3
1	25.1661.31	Raccordo G1/4F (6)	1					3
1	25.1695.31	Raccordo G1/4F (7)	1					3
1	25.1692.31	Raccordo G1/4F (8)	1					3
1	25.1693.31	Raccordo G1/4F (9)	1					3
1	25.1694.31	Raccordo G1/4F (10)	1					3
2	10.3072.01	An.OR 1,78x20,35 mm Ni 85	1					10
3	25.1626.63	Rosetta 14,8x23x0,1mm inox	1					5
4	25.1631.22	Turbina	1					3
5	25.1659.24	Kit ric. UR16.025/UR25-32.03 (1)	1					1
5	25.1660.24	Kit ric. UR16.03/UR25-32.035 (2)	1					1
5	25.1633.24	Kit ric. UR16.035/UR25.04/UR32.04 (3)	1					1
5	25.1637.24	Kit ric. UR16.04-045/UR25-32.045 (4)	1					1
5	25.1638.24	Kit ric. UR16-25-32.05 (5)	1					1
5	25.1668.24	Kit ric. UR16-25-32.055 (6)	1					1
5	25.1639.24	Kit ric. UR16-25-32.06 (7)	1					1
5	25.1640.24	Kit ric. UR16-25-32.065 (8)	1					1
5	25.1641.24	Kit ric. UR16-25-32.07 (9)	1					1
5	25.1669.24	Kit ric. UR16-25-32.08 (10)	1					1
6	25.1624.85	Guarn. 7,2x12x6 mm PTFE	1					10
7	25.1622.31	Corpo UR25	1					3
8	25.1691.85	Manopola UR32 rossa	1					3
9	15.2000.40	Chiodo 04 giallo scuro (3)	1					10
10	10.3230.01	An.OR 3,53x7,52 mm Ni 85	1					10

(1) 25.1690.30 (2) 25.1690.35 (3) 25.1690.40 (4) 25.1690.45 (5) 25.1690.50
 (6) 25.1690.55 (7) 25.1690.60 (8) 25.1690.65 (9) 25.1690.70
 (10) 25.1690.80

- 25.1690.30 UR32-03 Rotat.nzl,350bar, white
- 25.1690.35 UR32-035 Rotat.nzl,350bar, brown
- 25.1690.40 UR32-04 Rotat.nzl,350bar, d. yellow
- 25.1690.45 UR32-045 Rotat.nzl,350bar, bleu
- 25.1690.50 UR32-05 Rotat.nzl,350bar, purple

- 25.1690.55 UR32-055 Rotat.nzl,350bar, d. red
- 25.1690.60 UR32-06 Rotat.nzl,350bar, green
- 25.1690.65 UR32-065 Rotat.nzl,350bar, l.blue
- 25.1690.70 UR32-07 Rotat.nzl,350bar, orange
- 25.1690.80 UR32-08 Rotat.nzl,350bar, silver



Pos.	P/N	Description	Q.ty	K1	K2	K3	K4	
1	25.1634.31	Coupling, 1/4 F Bsp (1)	1					3
1	25.1645.31	Coupling, 1/4 F Bsp (2)	1					3
1	25.1636.31	Coupling, 1/4 F Bsp (3)	1					3
1	25.1646.31	Coupling, 1/4 F Bsp (4)	1					3
1	25.1647.31	Coupling, 1/4 F Bsp (5)	1					3
1	25.1661.31	Coupling, 1/4 F Bsp (6)	1					3
1	25.1695.31	Coupling, 1/4 F Bsp (7)	1					3
1	25.1692.31	Coupling, 1/4 F Bsp (8)	1					3
1	25.1693.31	Coupling, 1/4 F Bsp (9)	1					3
1	25.1694.31	Coupling, 1/4 F Bsp (10)	1					3
2	10.3072.01	O-ring, 1,78x20,35 mm Ni 85	1					10
3	25.1626.63	Washer, 14,8x23x0,1mm Sst.	1					5
4	25.1631.22	Turbine	1					3
5	25.1659.24	Spares kit -UR16.025/UR25-32.03 (1)	1					1
5	25.1660.24	Spares kit -UR16.03/UR25-32.035 (2)	1					1
5	25.1633.24	Spares kit -UR16.035/UR25.04/UR32.04 (3)	1					1
5	25.1637.24	Spares kit -UR16.04-045/UR25-32.045 (4)	1					1
5	25.1638.24	Spares kit -UR16-25-32.05 (5)	1					1
5	25.1668.24	Spares kit -UR16-25-32.055 (6)	1					1
5	25.1639.24	Spares kit -UR16-25-32.06 (7)	1					1
5	25.1640.24	Spares kit -UR16-25-32.065 (8)	1					1
5	25.1641.24	Spares kit -UR16-25-32.07 (9)	1					1
5	25.1669.24	Spares kit -UR16-25-32.08 (10)	1					1
6	25.1624.85	Seal, 7,2x12x6 mm PTFE	1					10
7	25.1622.31	Housing -UR25	1					3
8	25.1691.85	Knob -UR32, red	1					3
9	15.2000.40	Stud, 04 dark yellow (3)	1					10
10	10.3230.01	O-ring, 3,53x7,52 mm Ni 85	1					10

- (1) 25.1690.30 (2) 25.1690.35 (3) 25.1690.40 (4) 25.1690.45 (5) 25.1690.50
- (6) 25.1690.55 (7) 25.1690.60 (8) 25.1690.65 (9) 25.1690.70
- (10) 25.1690.80